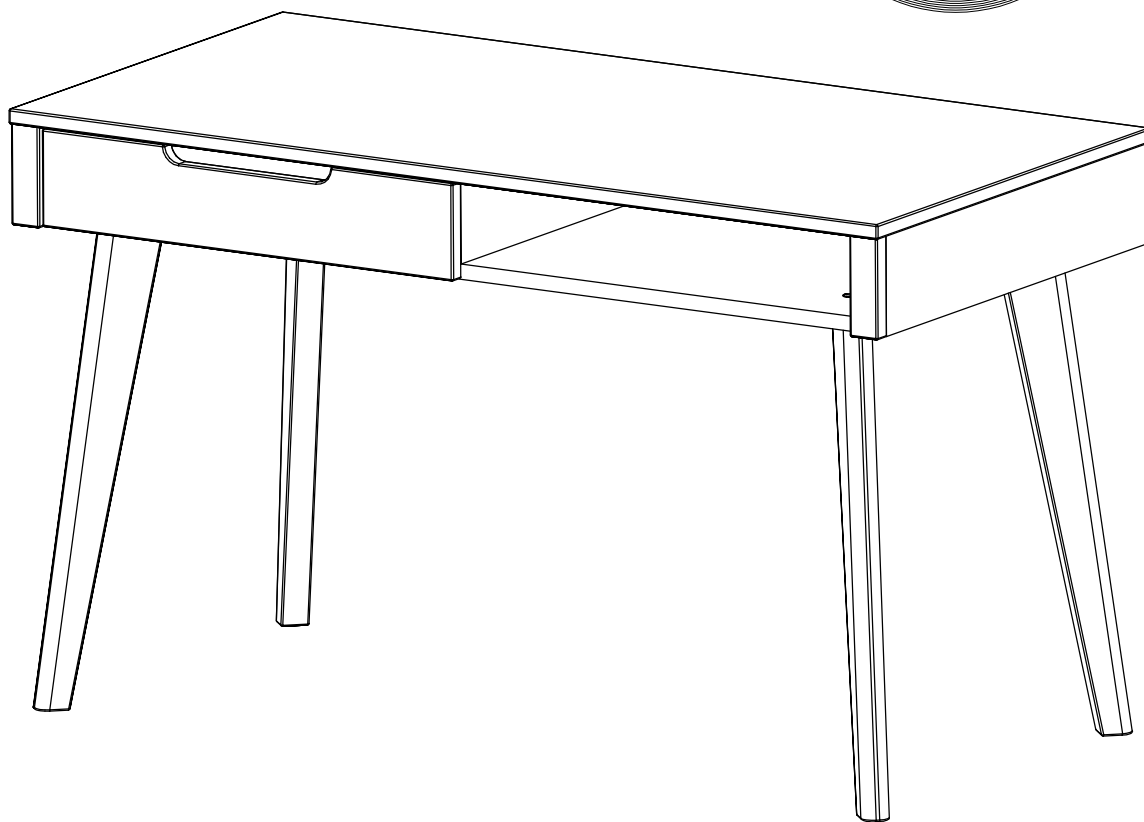
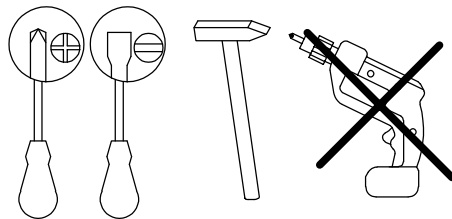
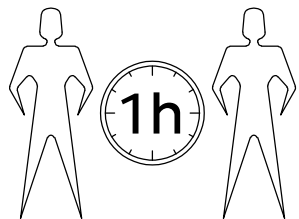


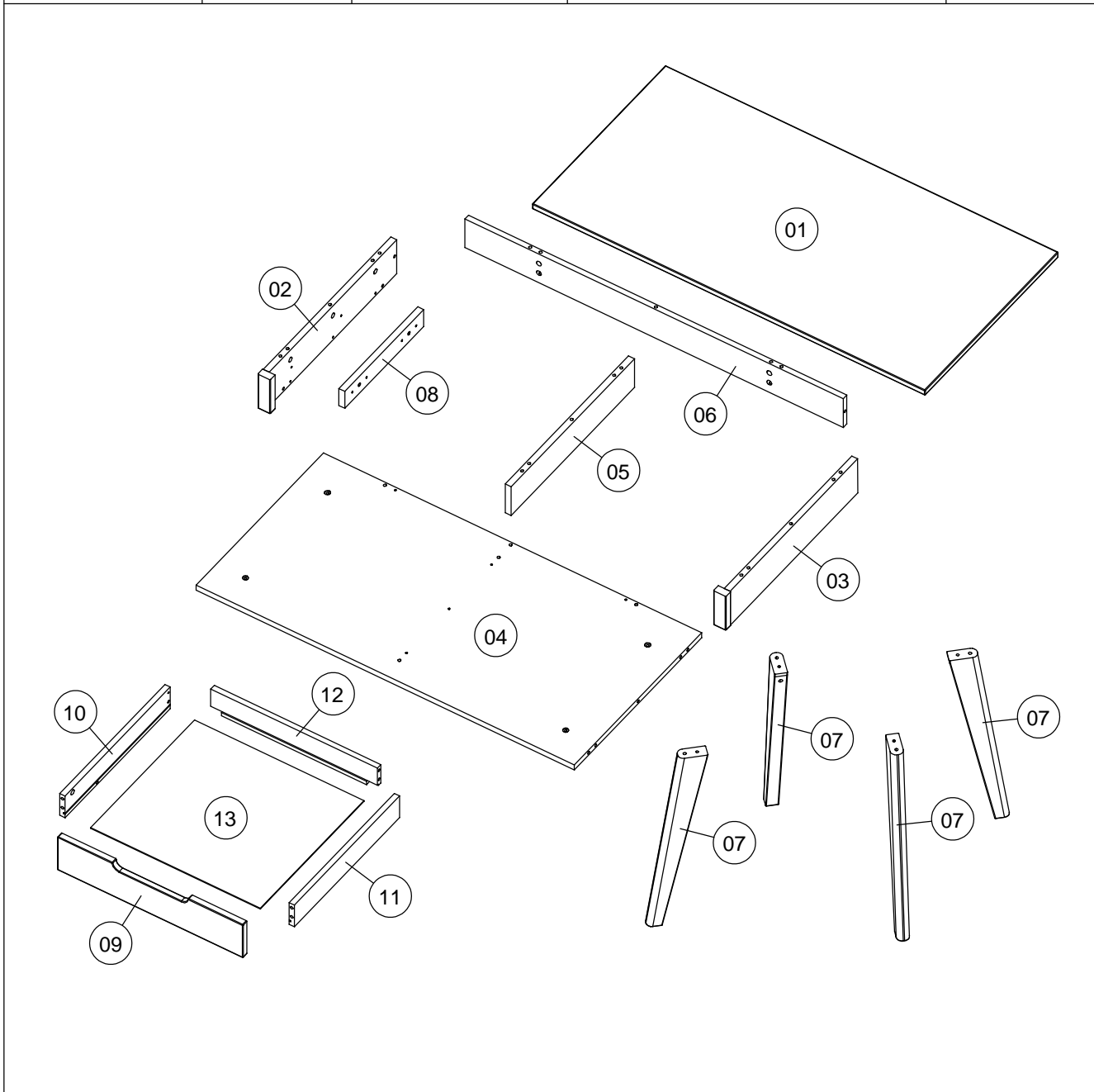
VENTA

DK DAIĻRADEKOKS

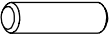



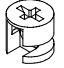
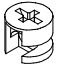
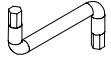
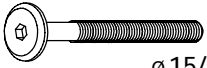

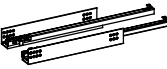

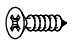

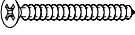
Ciekurkalna 1.linija 11
Rīga, LV-1026, Latvia



Teil-Nr. Pieces-no. Det. Nr.	Anzahl Quantities Daudzums	Colis-Nr. Package-no. Kastes nr.	Maß, mm Dimensions, mm Izmērs, mm	✓
1	1	1/1	1200 x 602 x 18	
2	1	1/1	598 x 121 x 38	
3	1	1/1	598 x 121 x 38	
4	1	1/1	1156 x 575 x 18	
5	1	1/1	102 x 557 x 18	
6	1	1/1	1156 x 102 x 16	
7	4	1/1	630 x 75 x 35	
8	1	1/1	356 x 60 x 18	
9	1	1/1	567 x 117 x 18	
10	1	1/1	475 x 77 x 16	
11	1	1/1	475 x 77 x 16	
12	1	1/1	509 x 77 x 16	
13	1	1/1	518 x 468 x 3	



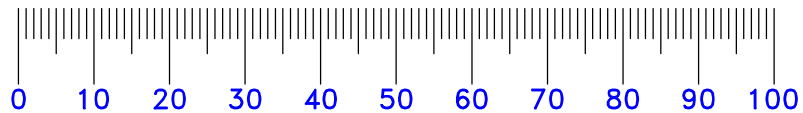
42894

H1	 x28 ø 8x30	H15	 x2 ø 5x20	D2	 x26 ø 5/11x34
D4	 x15 ø 17	D3	 x18 ø 15x13,8	D5	 x8 ø 15x12,5
A5	 x1 4 mm	A153	 x4 ø 15/M6x60	D83	 x4 ø 10/18
E87	 x1 485 mm	A25	 x4 ø 6,2x10,5	A20	 x4 ø 4x16
E102	 x4 ø 20	A59	 x2 ø 4x30		


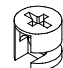
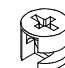
DE Sehr geehrter Kunde, hier haben Sie die Möglichkeit mitgelieferte Schrauben nachzumessen.

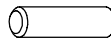
GB Dear customer, here you have the possibility of measuring the supplied screws.

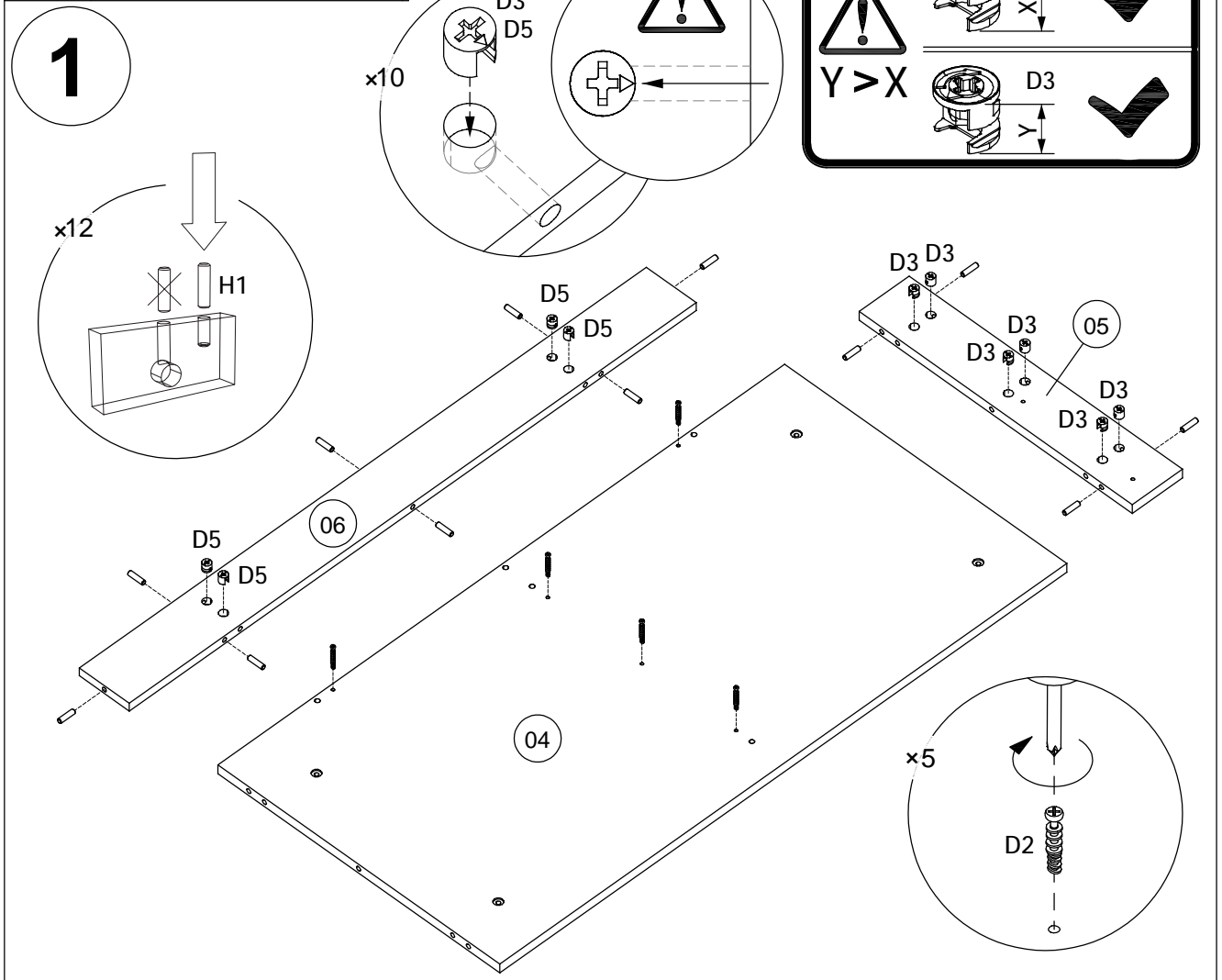
LV Godātais pircēj, šeit Jums ir iespēja izmērīt pievienotās skrūves.




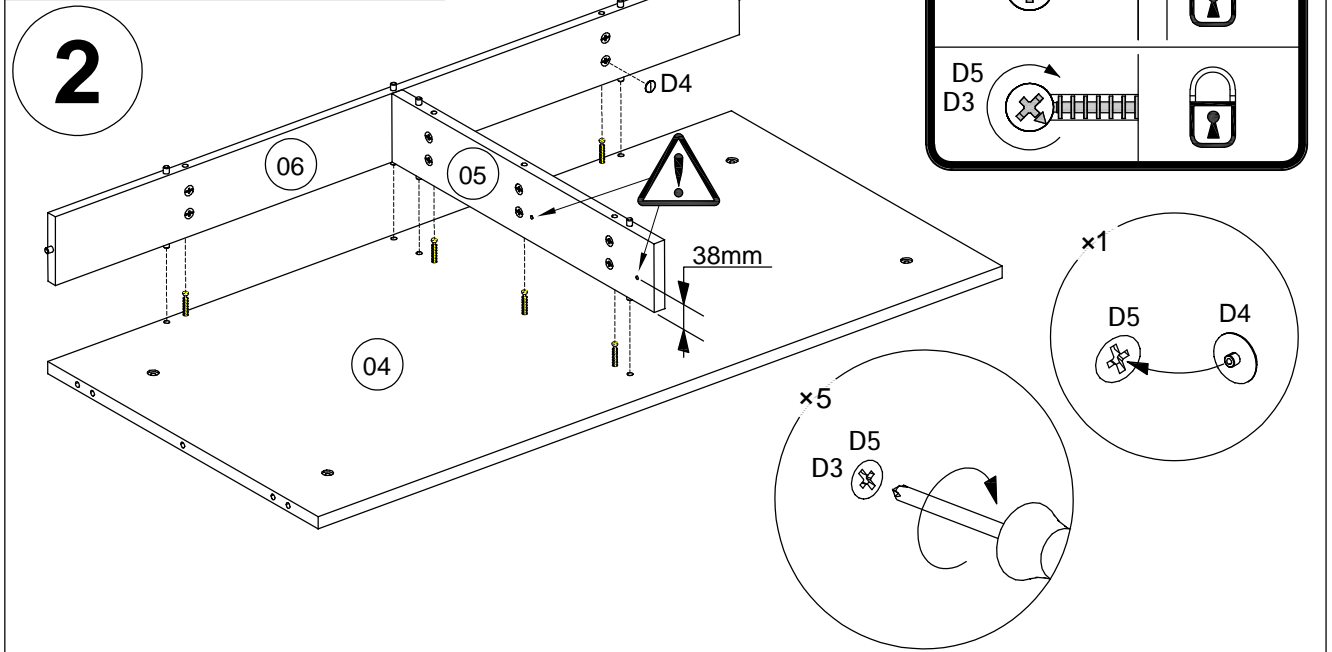
42894

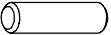


D2		x5 ∅ 5/11x34	D3		x6 ∅ 15x13,8	D5		x4 ∅ 15x12,5
----	---	-----------------	----	---	-----------------	----	---	-----------------

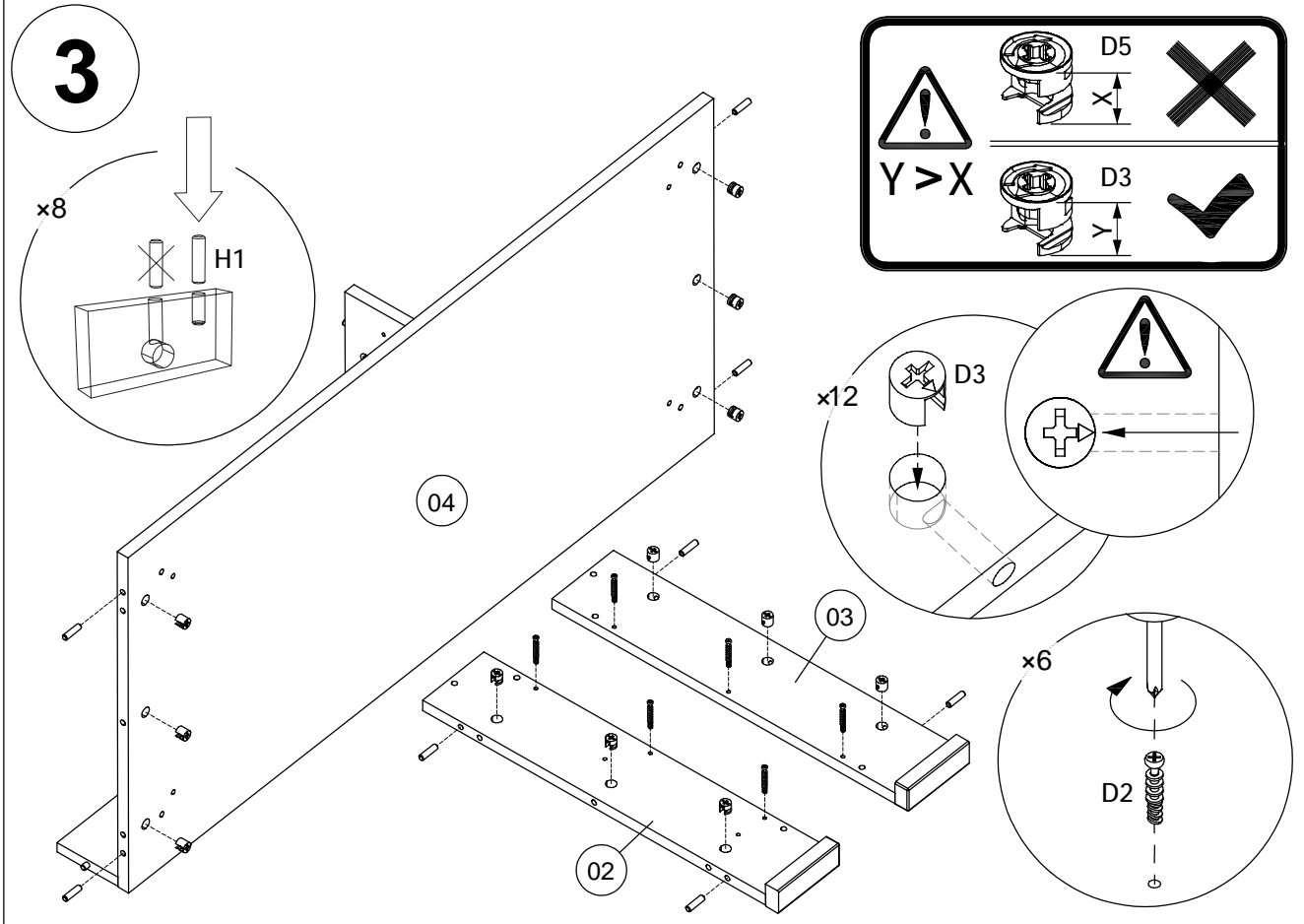
H1		x12 ∅ 8x30
----	---	---------------



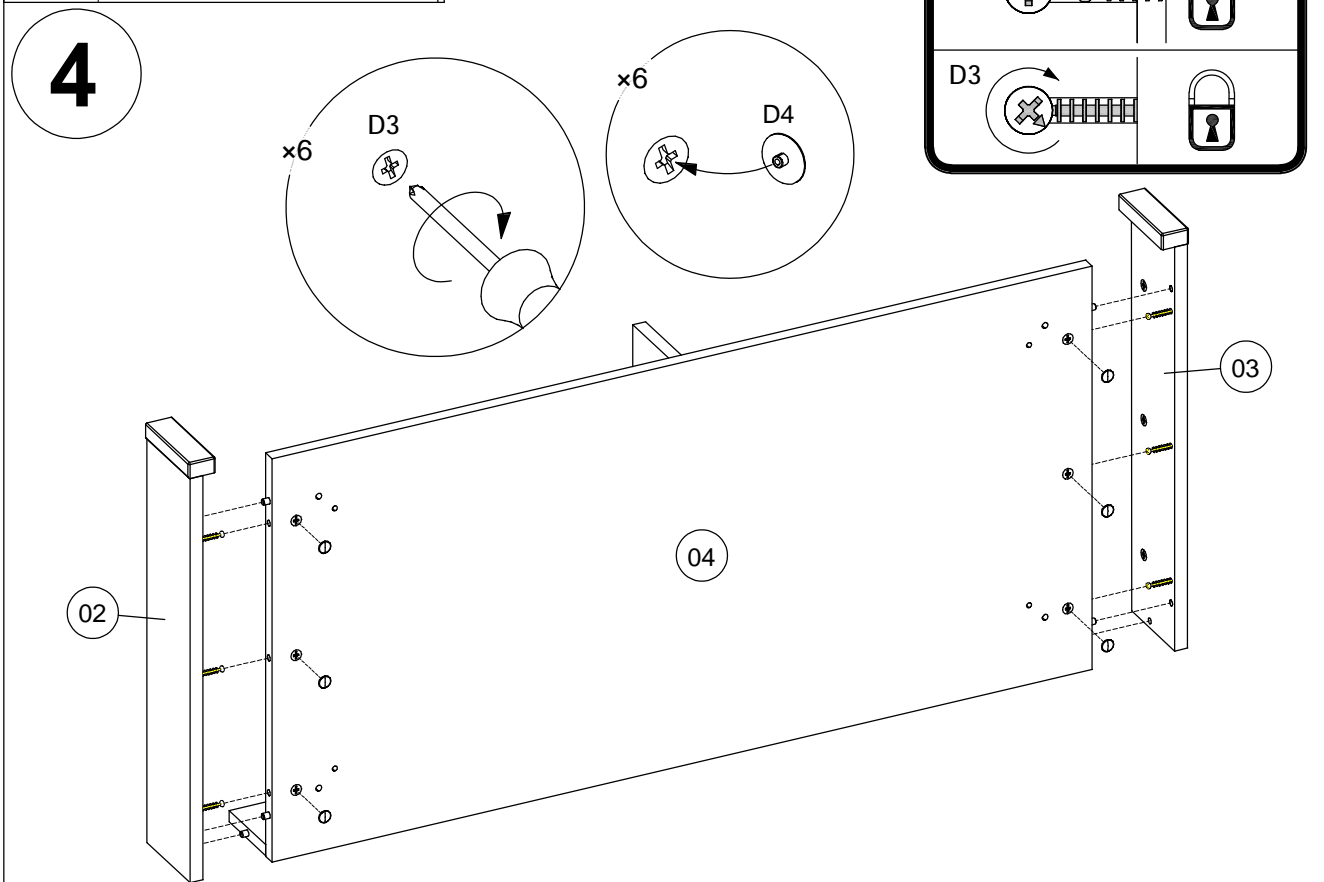
D4		x1 ∅ 17
----	---	------------

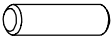




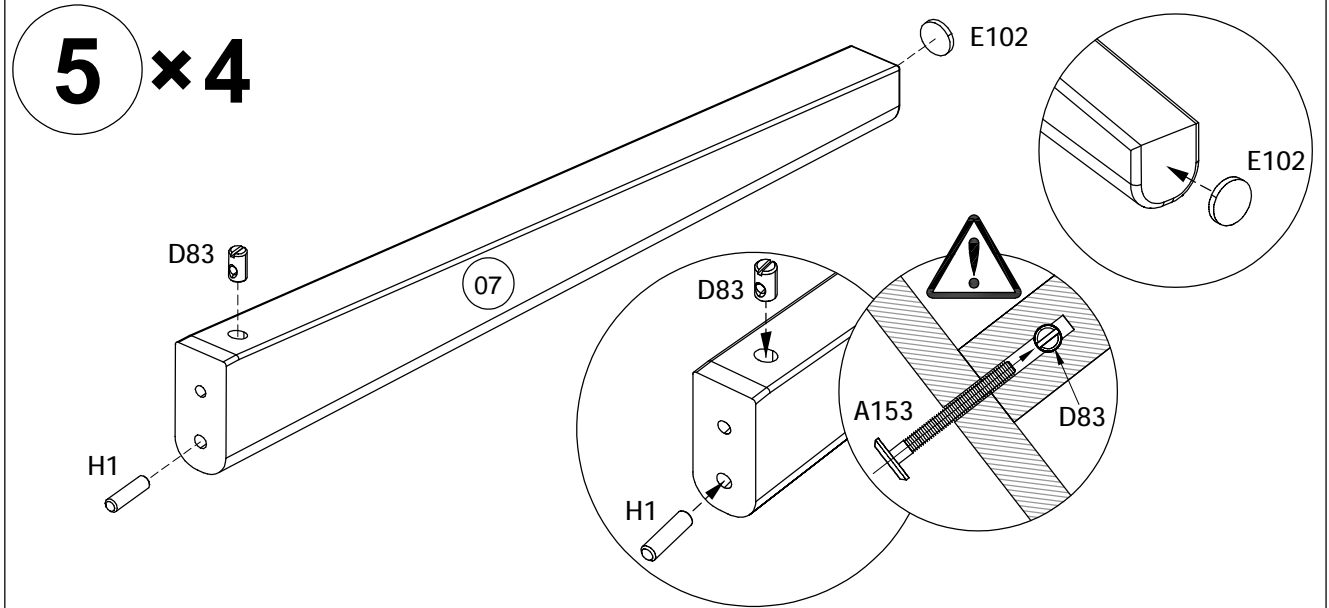
H1	 x8 ø 8x30	D2	 x6 ø 5/11x34	D3	 x12 ø 15x13,8
----	---	----	--	----	---

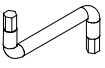
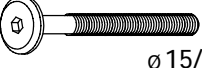



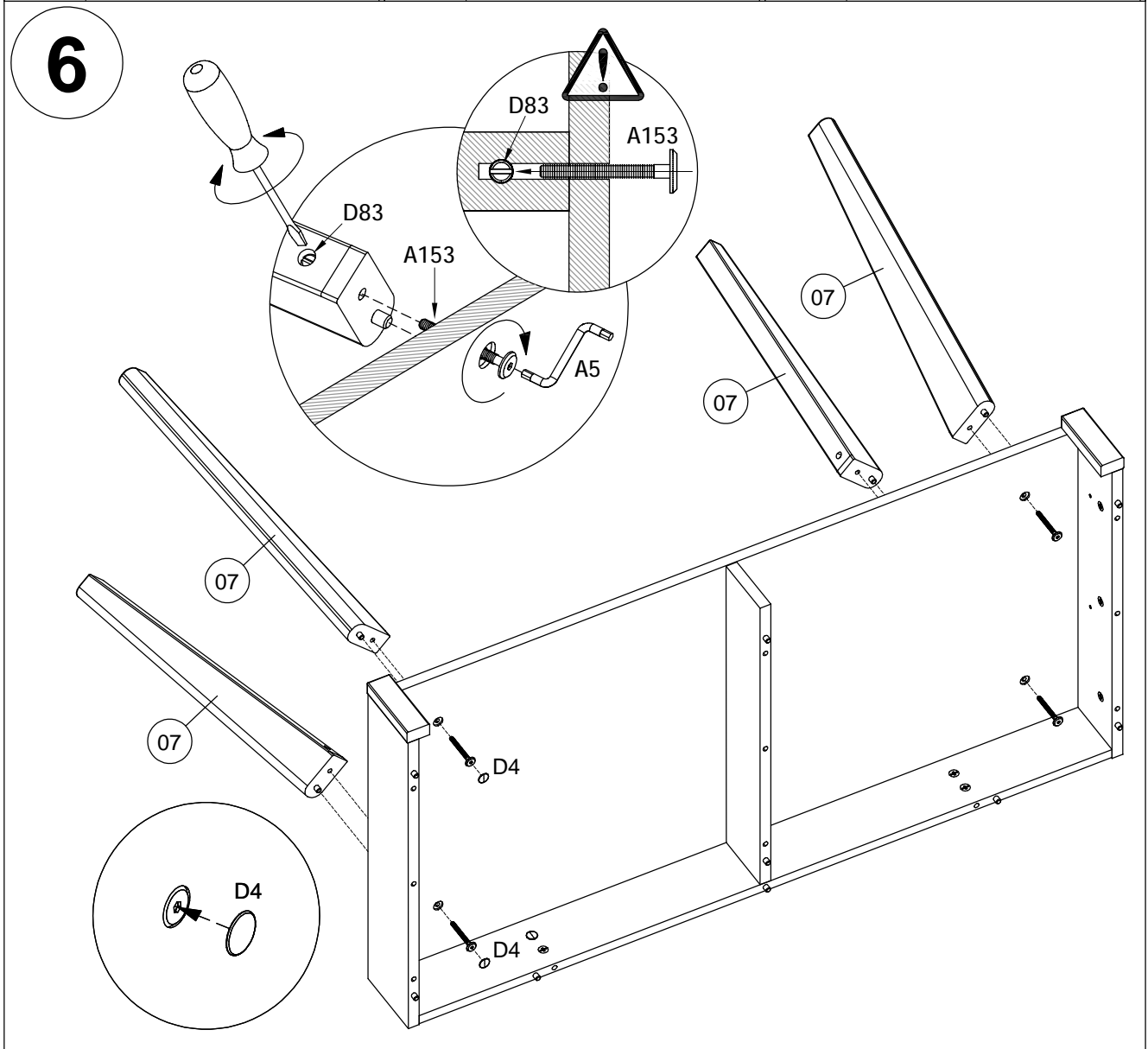
D4	 x6 ø 17
----	---

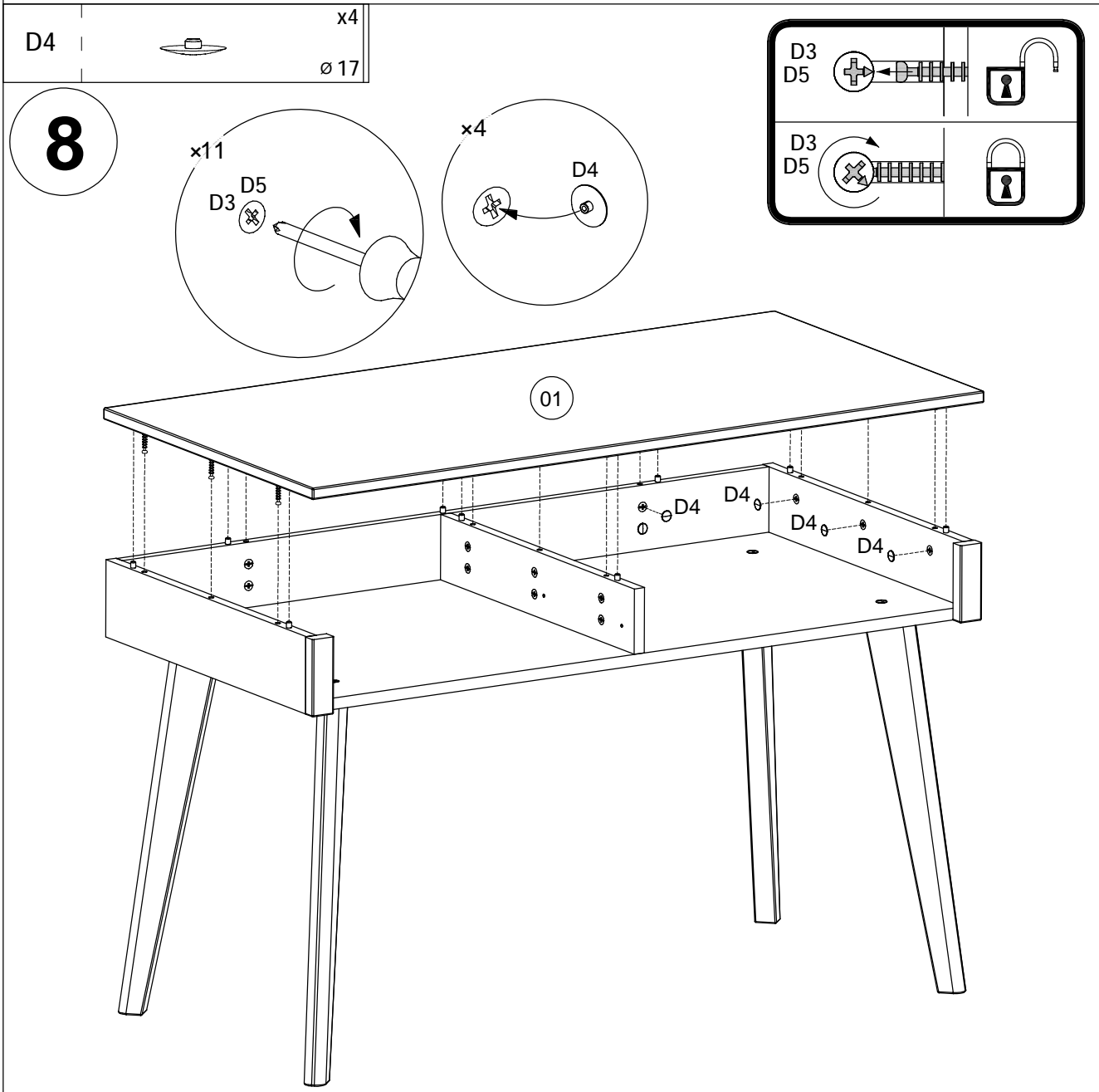
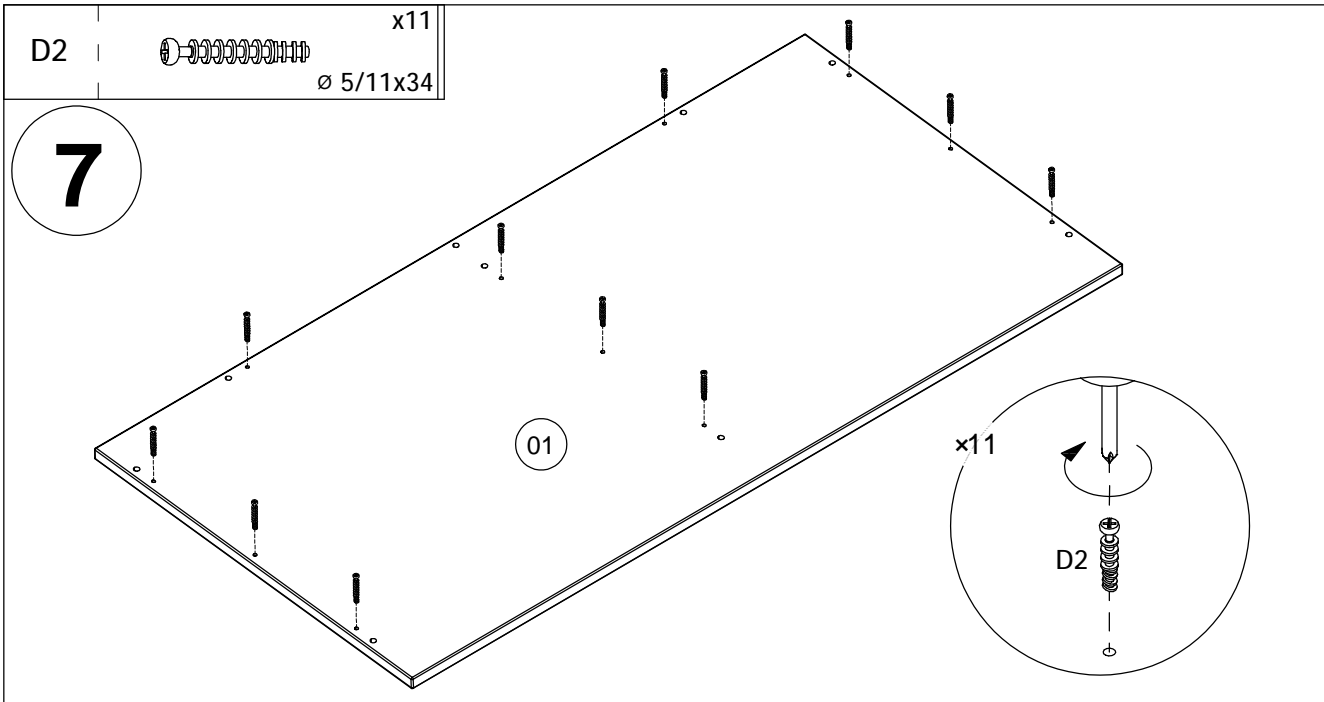


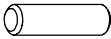


H1		x4 ø 8x30	D83		x4 ø 10/18	E102		x4 ø 20
----	---	--------------	-----	---	---------------	------	---	------------



A5		x1 4 mm	A153		x4 ø 15/M6x60	D4		x2 ø 17
----	---	------------	------	---	------------------	----	---	------------





H1		x4 ø 8x30	D2		x4 ø 5/11x34	D5		x4 ø 15x12,5
----	---	--------------	----	---	-----------------	----	---	-----------------

9

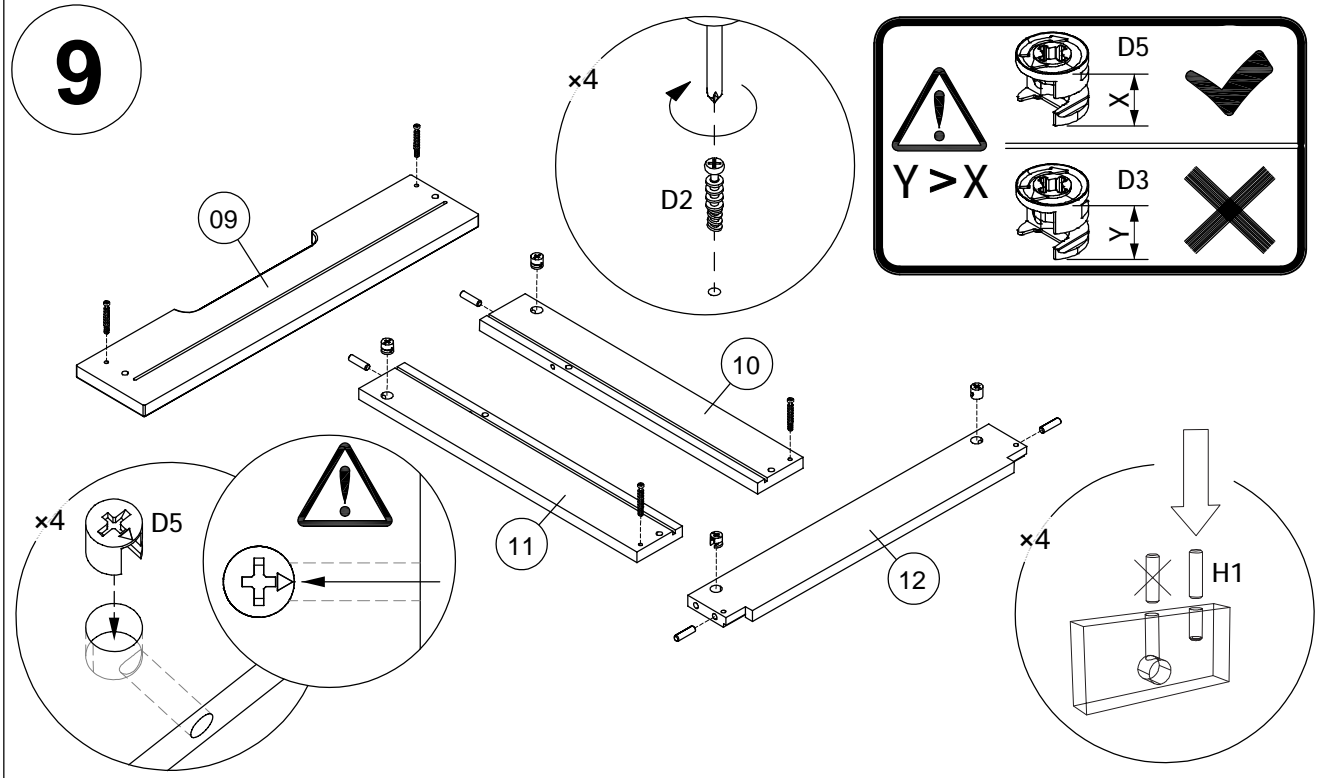


Diagram illustrating the assembly of the frame components (09, 10, 11, 12) using pins (H1) and springs (D2). The diagram shows the correct orientation for the pins (Y > X) and the correct placement of the springs (D2). A warning box indicates that the pins must be inserted correctly (D5, Y > X) and not incorrectly (D3, Y < X).

10

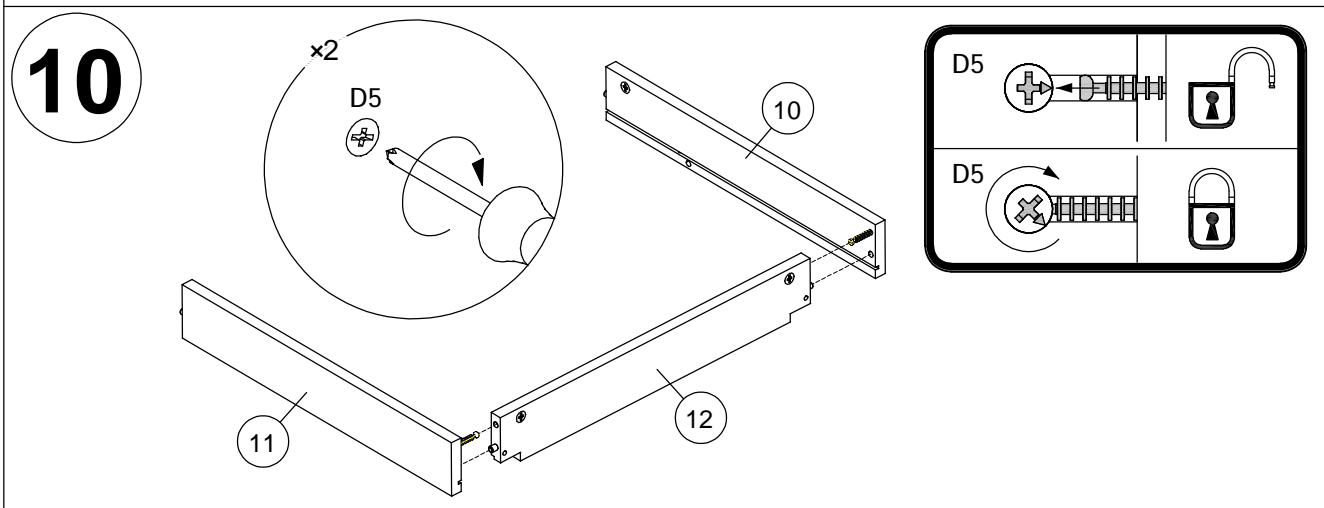


Diagram illustrating the assembly of the frame components (10, 11, 12) using pins (D5). The diagram shows the correct orientation for the pins (D5) and the correct placement of the frame components. A warning box indicates that the pins must be inserted correctly (D5, lock open) and not incorrectly (D5, lock closed).

11

D4

x2
ø 17

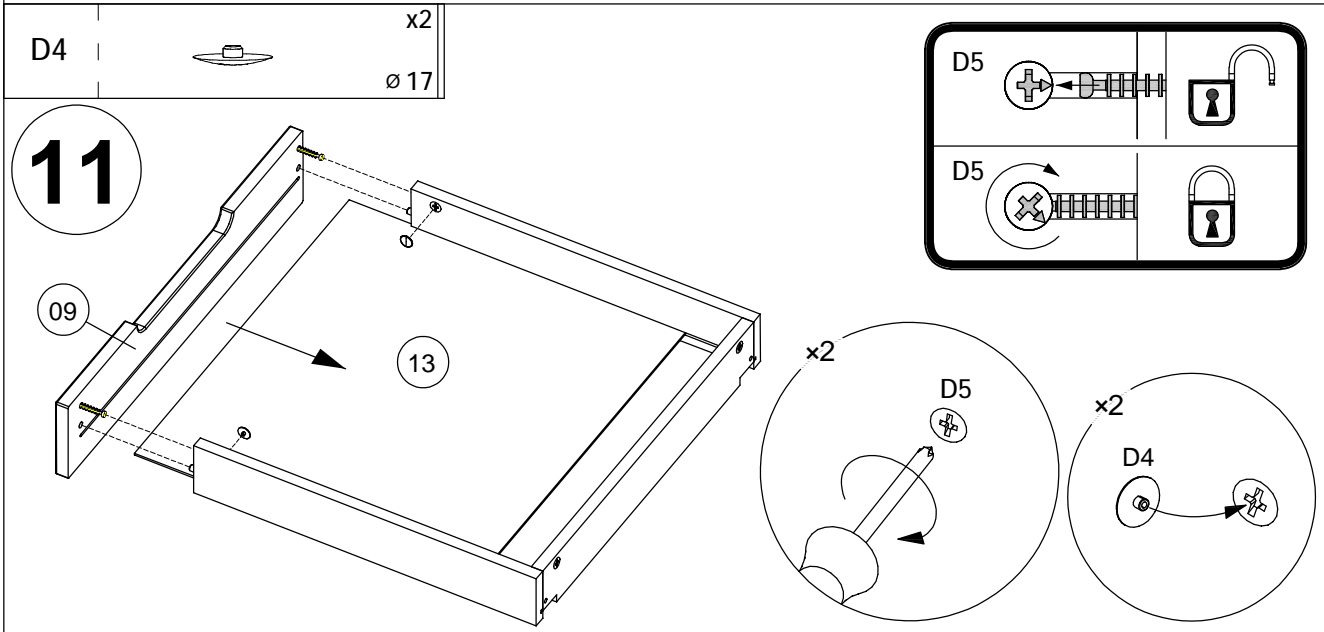

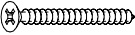
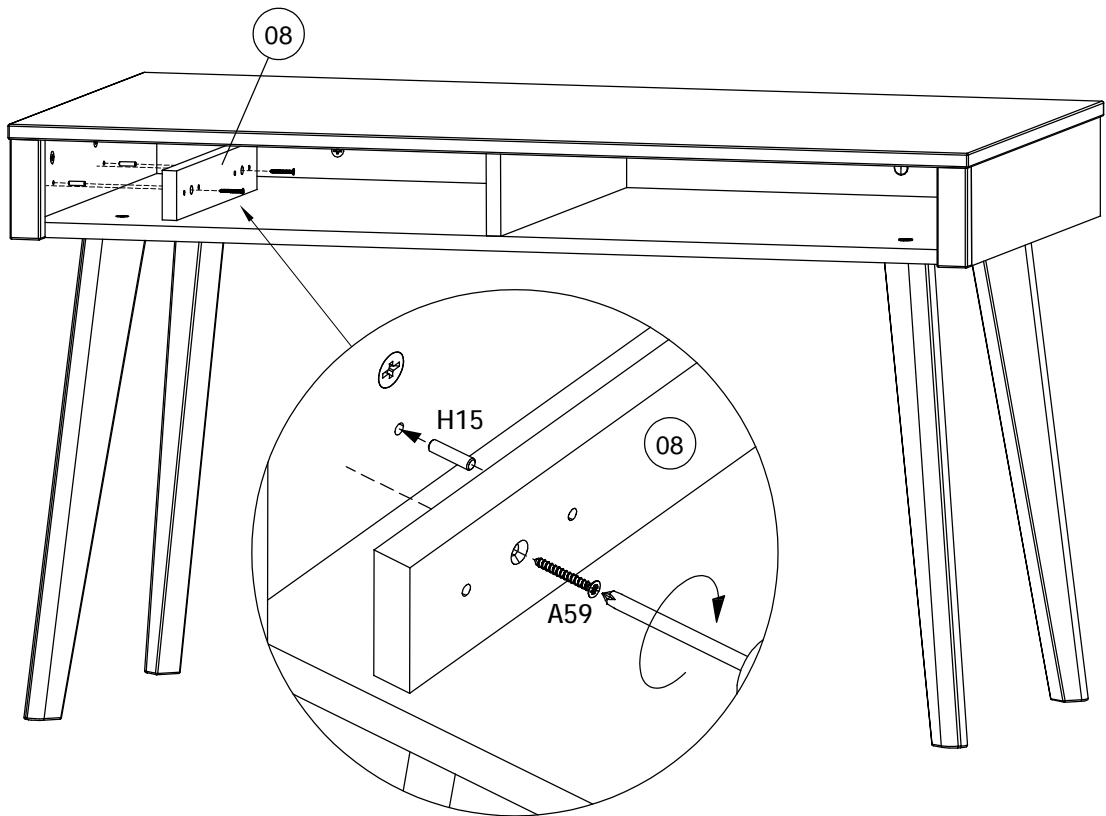
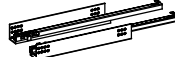

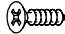


Diagram illustrating the assembly of the frame components (09, 11, 13) using pins (D4). The diagram shows the correct orientation for the pins (D4) and the correct placement of the frame components. A warning box indicates that the pins must be inserted correctly (D5, lock open) and not incorrectly (D5, lock closed).

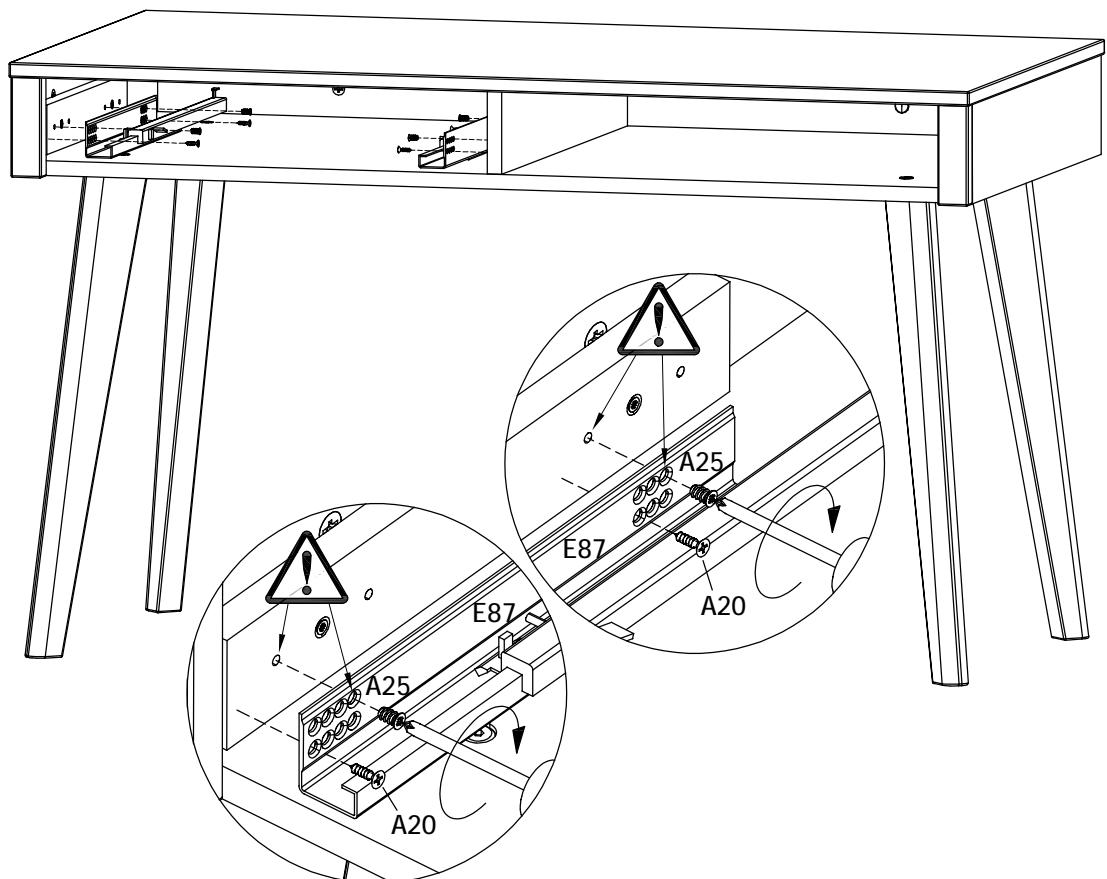
H15		x2	A59		x2
		∅ 5x20			∅ 4x30

12



E87		x1	A25		x4	A20		x4
	485 mm				∅ 6,2x10,5			∅ 4x16

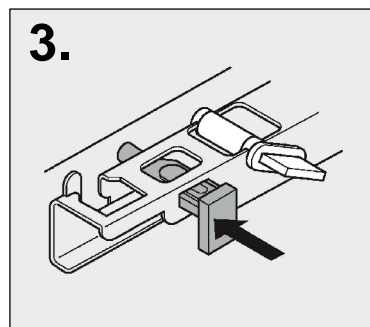
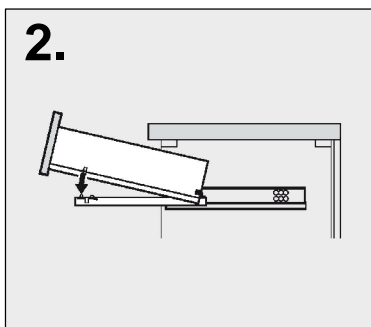
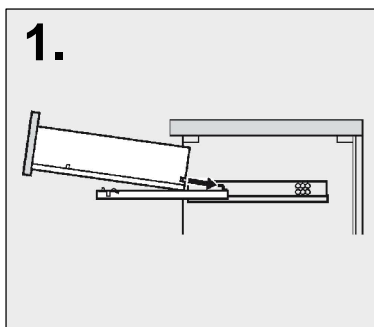
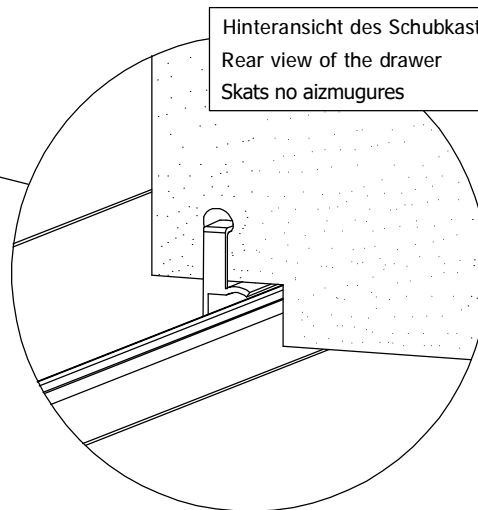
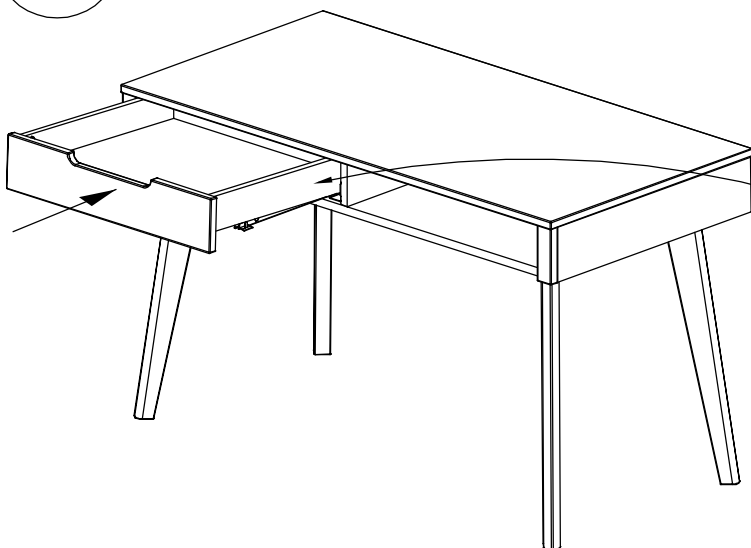
13



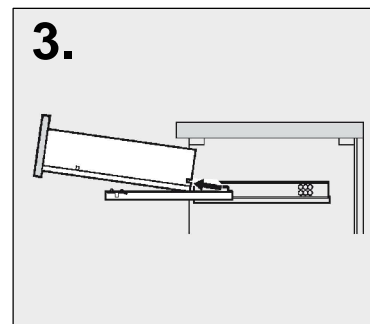
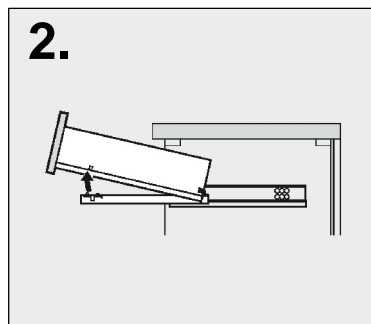
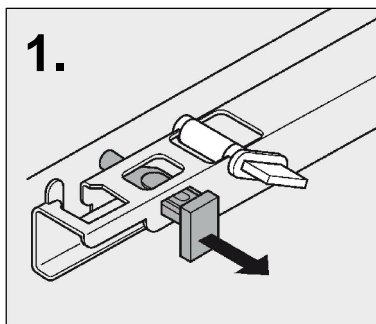
42894

14

Einhängen der Schublade ○ Attaching the drawer ○ Atvilktnes ievietošana



Aushängen der Schublade ○ Removal of drawer ○ Atvilktnes izņemšana



Höhenverstellung ○ Height adjustment ○ Augstuma regulēšana

