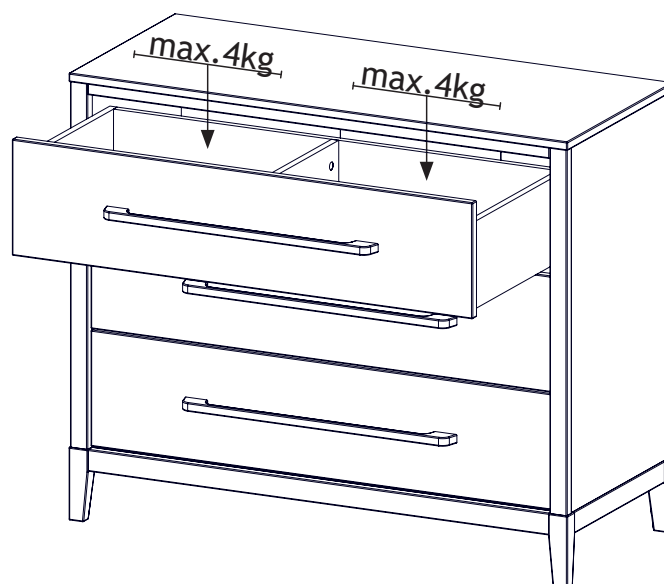
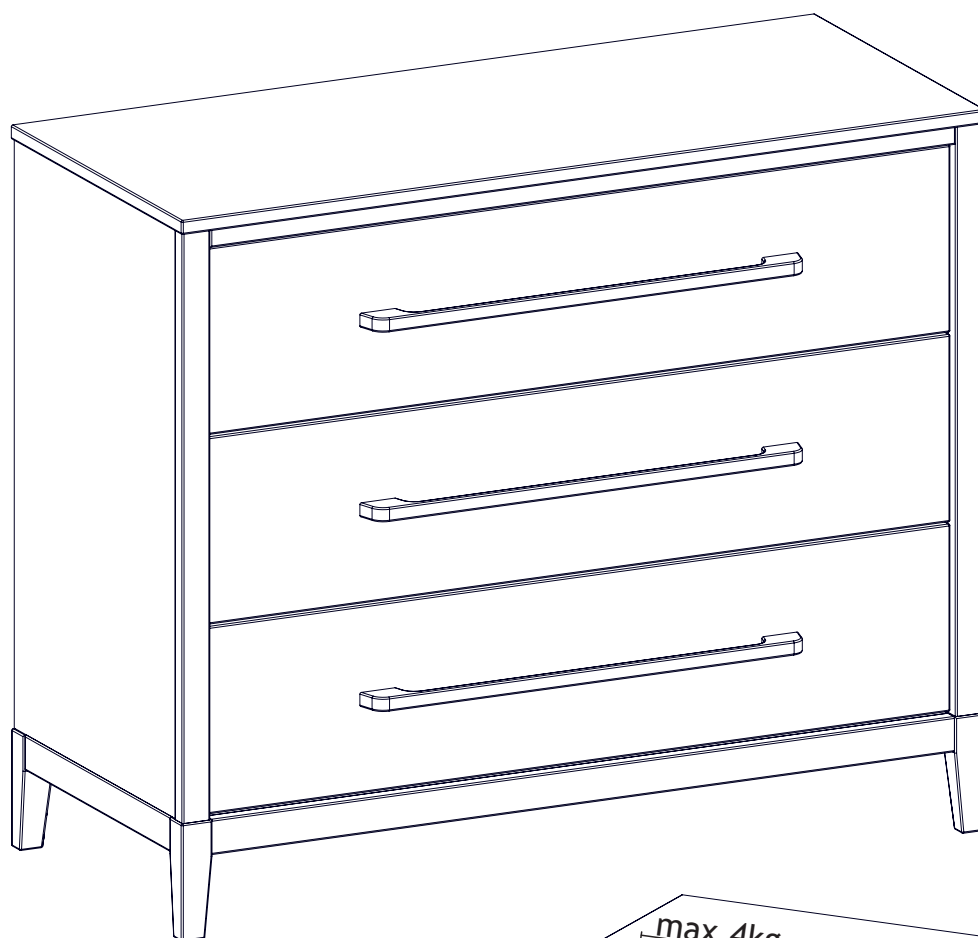
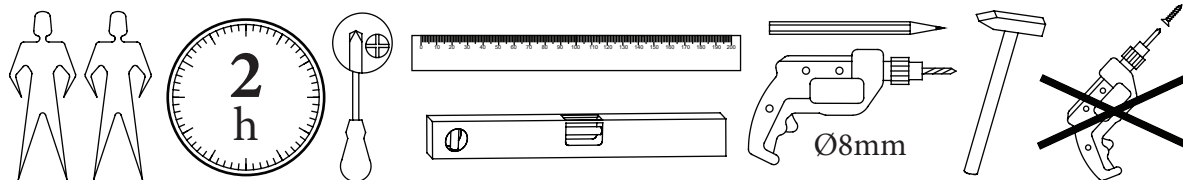
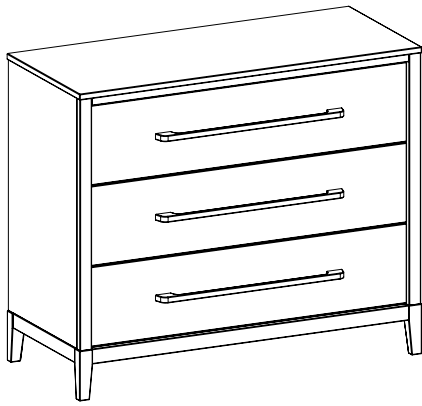


SCANDIC

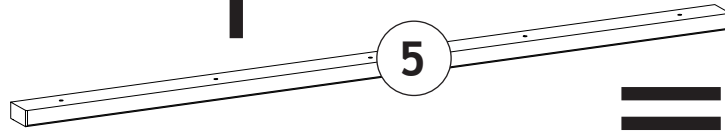
Art. 26370018/02



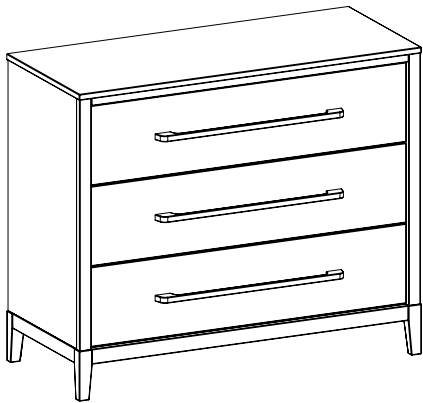
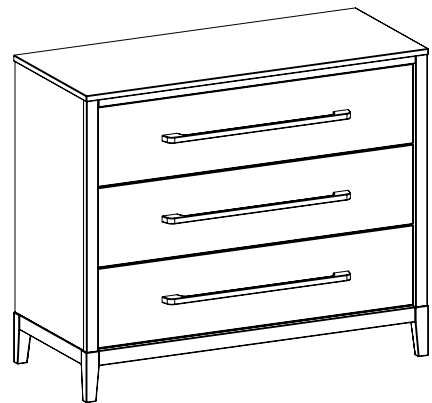
67519/1



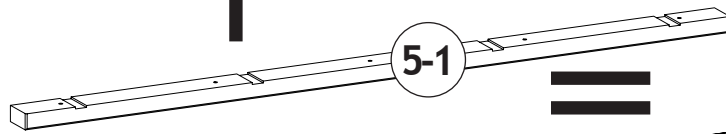
+



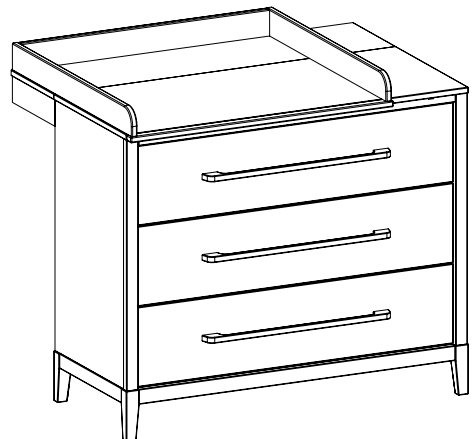
=



+

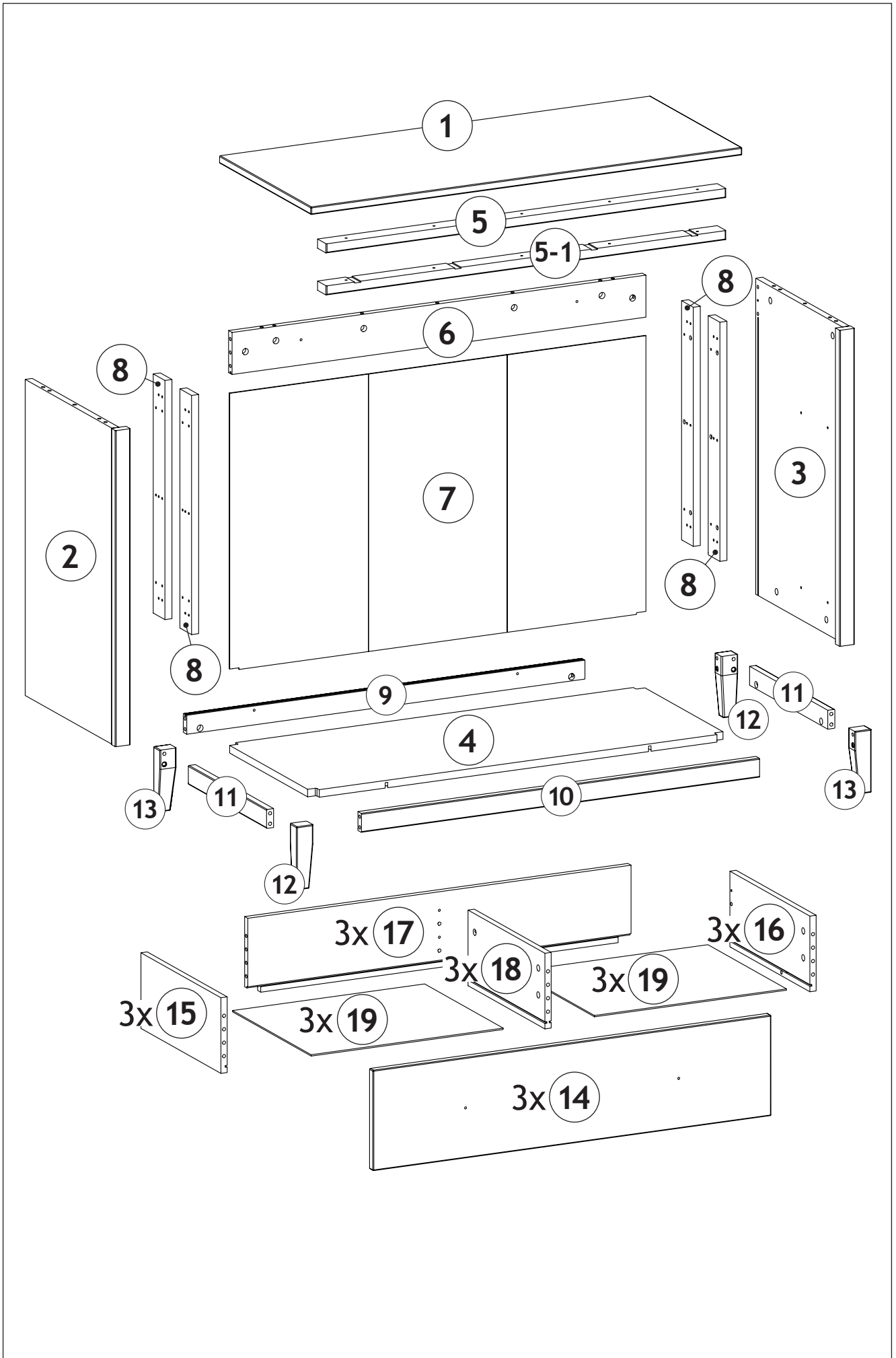


=



Teil Nr. Pièces Nr. Pieces No. Kārtas nr.	Anzahl Quantité Quantity Skaitis	Kasten Nr. Colli Nr. Colli No. Kastes nr.	Maß, mm Dimensions, mm Dimensions, mm Izmēri, mm	
1	1	1/2	1100 x 470 x 18	
2	1	1/2	752 x 468 x 38	
3	1	1/2	752 x 468 x 38	
4	1	1/2	1060 x 430 x 18	
5	1	2/2	1020 x 45 x 22	
5-1	1	2/2	1020 x 45 x 22	
6	1	1/2	1056 x 100 x 18	
7	1	1/2	1315 x 176 x 3	
8	4	1/2	569 x 60 x 18	
9	1	2/2	1016 x 45 x 18	
10	1	2/2	1016 x 45 x 18	
11	2	2/2	402 x 45 x 18	
12	2	1/2	150 x 42 x 34	
13	2	1/2	150 x 42 x 34	
14	3	2/2	1016 x 239 x 18	
15	3	2/2	411 x 180 x 16	
16	3	2/2	411 x 180 x 16	
17	3	2/2	978 x 180 x 16	
18	3	2/2	395 x 180 x 16	
19	6	1/2	490 x 404 x 3,2	

67519/1



67519/1



H1
(x63)



H7
(x8)



D197
(x8)



A25
(x24)



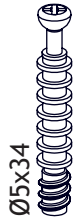
D196
(x8)



D198
(x8)



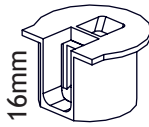
D36
(x20)



D2
(x50)



D5
(x50)



D45
(x4)



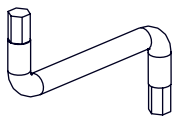
D4
(x24)



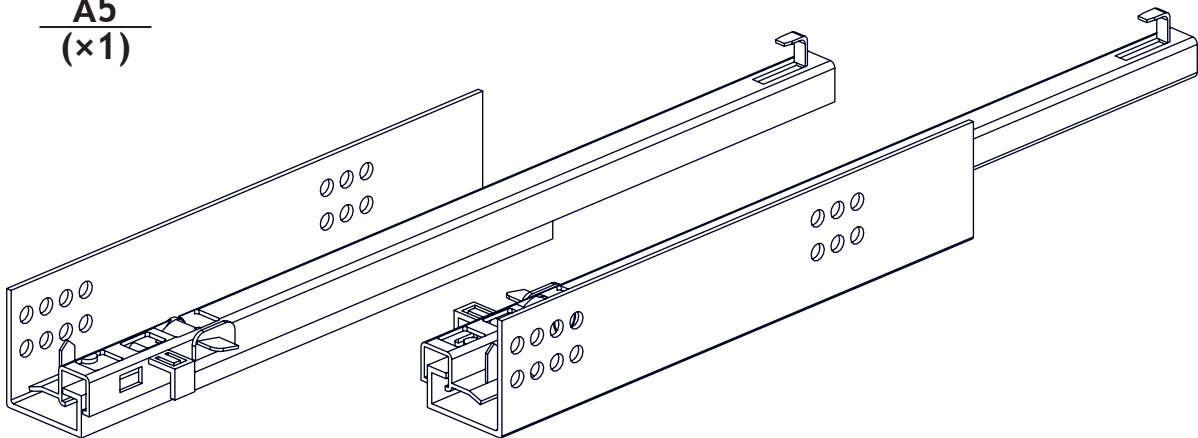
D19
(x4)



A59
(x17)



A5
(x1)



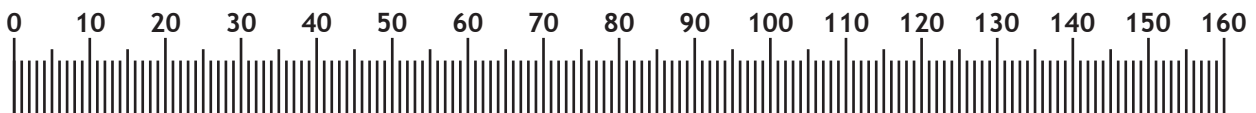
E86
(x3)

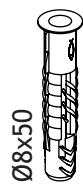
385mm

LV Godātais pircēj, šeit Jums ir iespēja izmērīt pievienotās skrūves.

UK Dear customer, here you have the possibility of measuring the supplied screws.

D Sehr geehrter Kunde, hier haben Sie die Möglichkeit mitgelieferte Schrauben nachzumessen.





Ø8x50

H20
(x2)



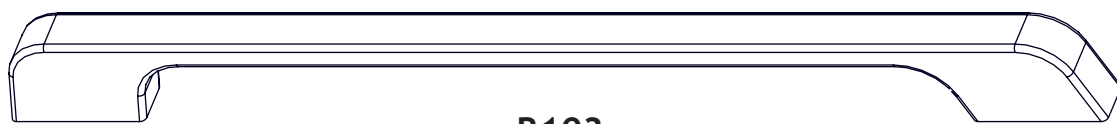
M8

A94
(x2)



Ø6x80

A104
(x2)



B103
(x3)

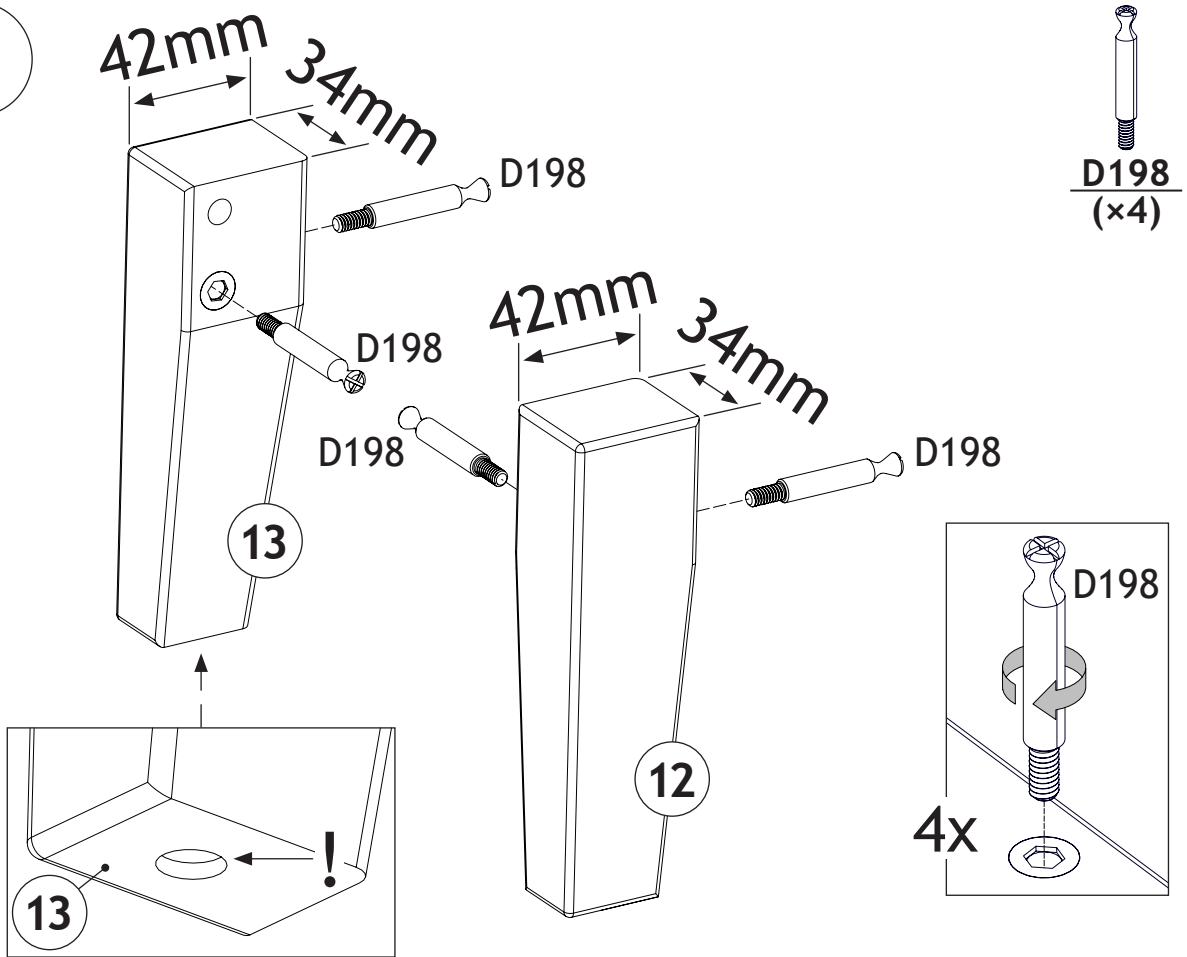
L=600mm
(544mm)



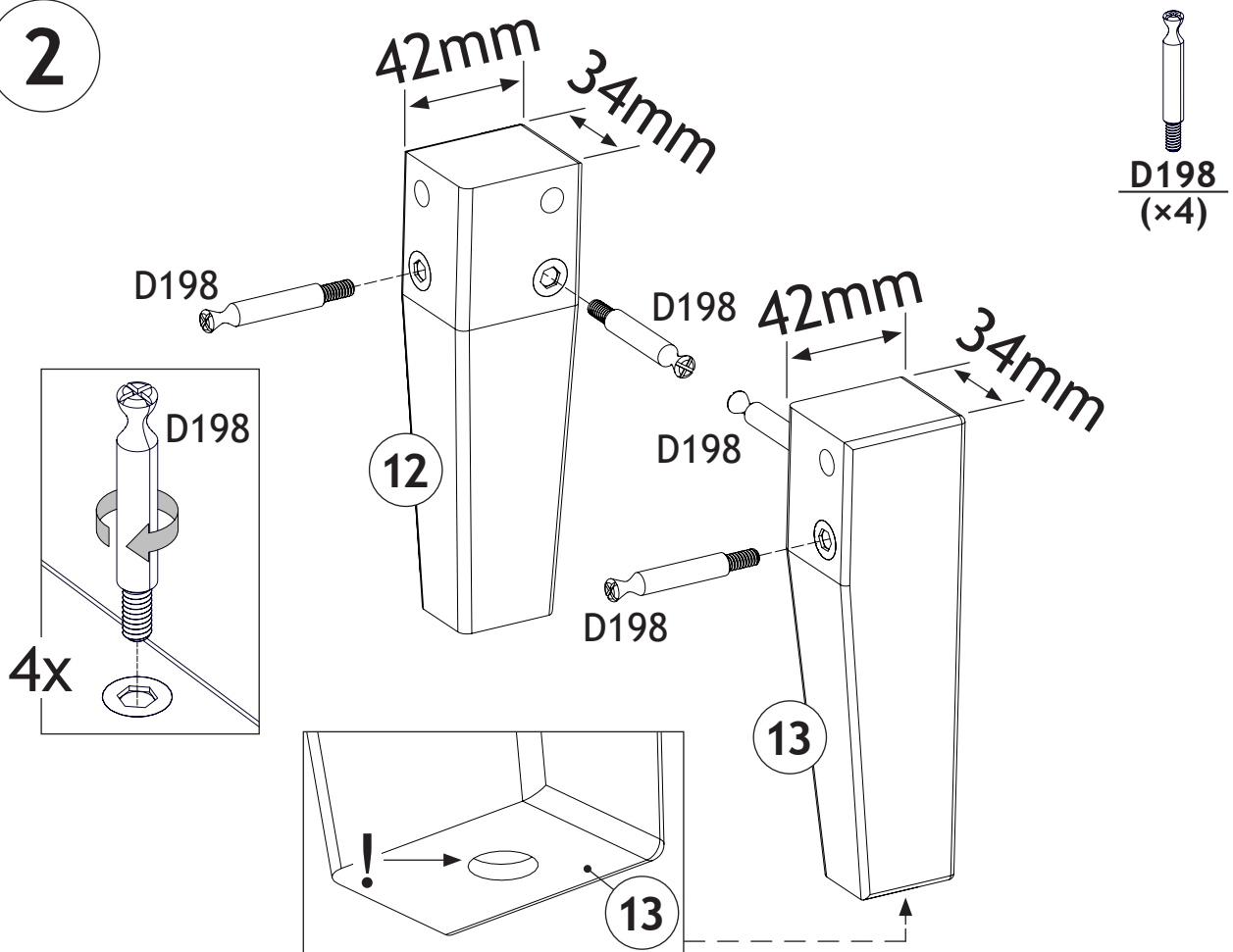
M4x28

A29
(x6)

1





2




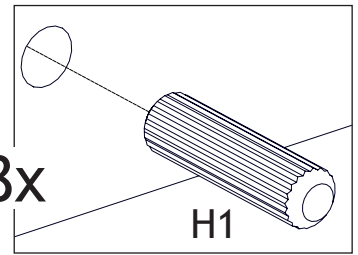
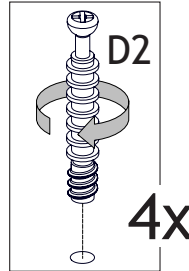
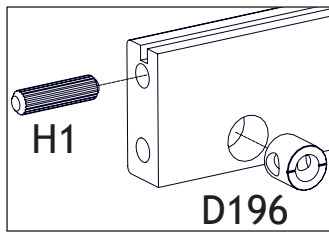
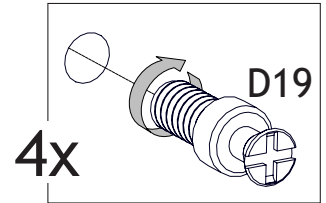
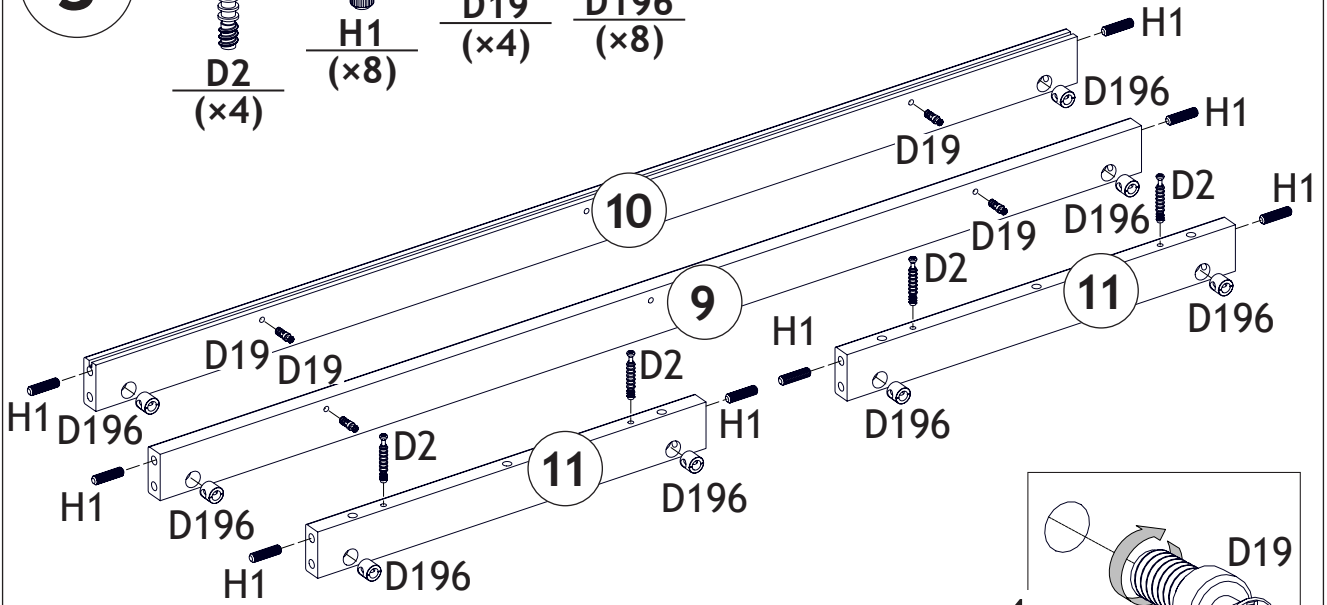
3

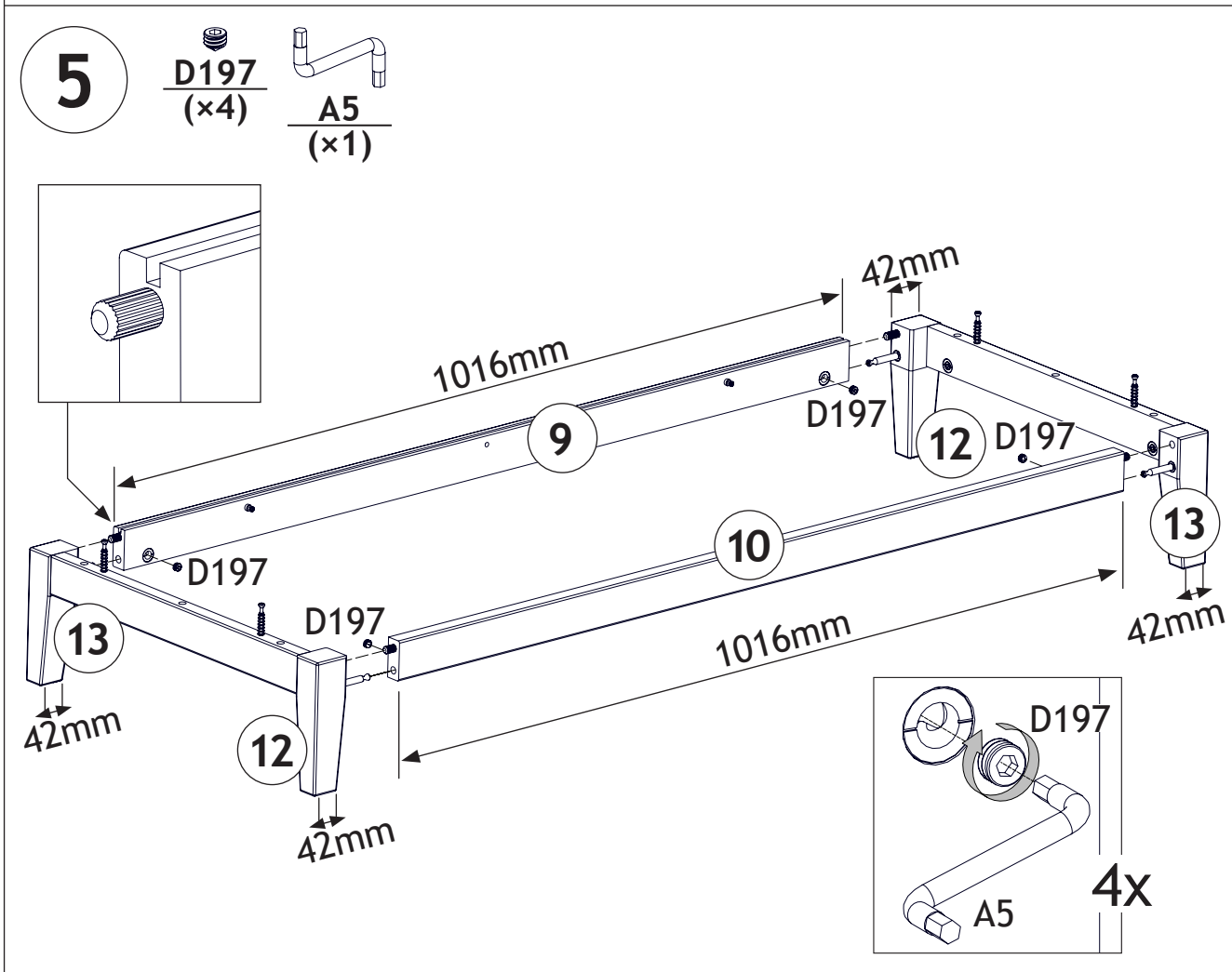
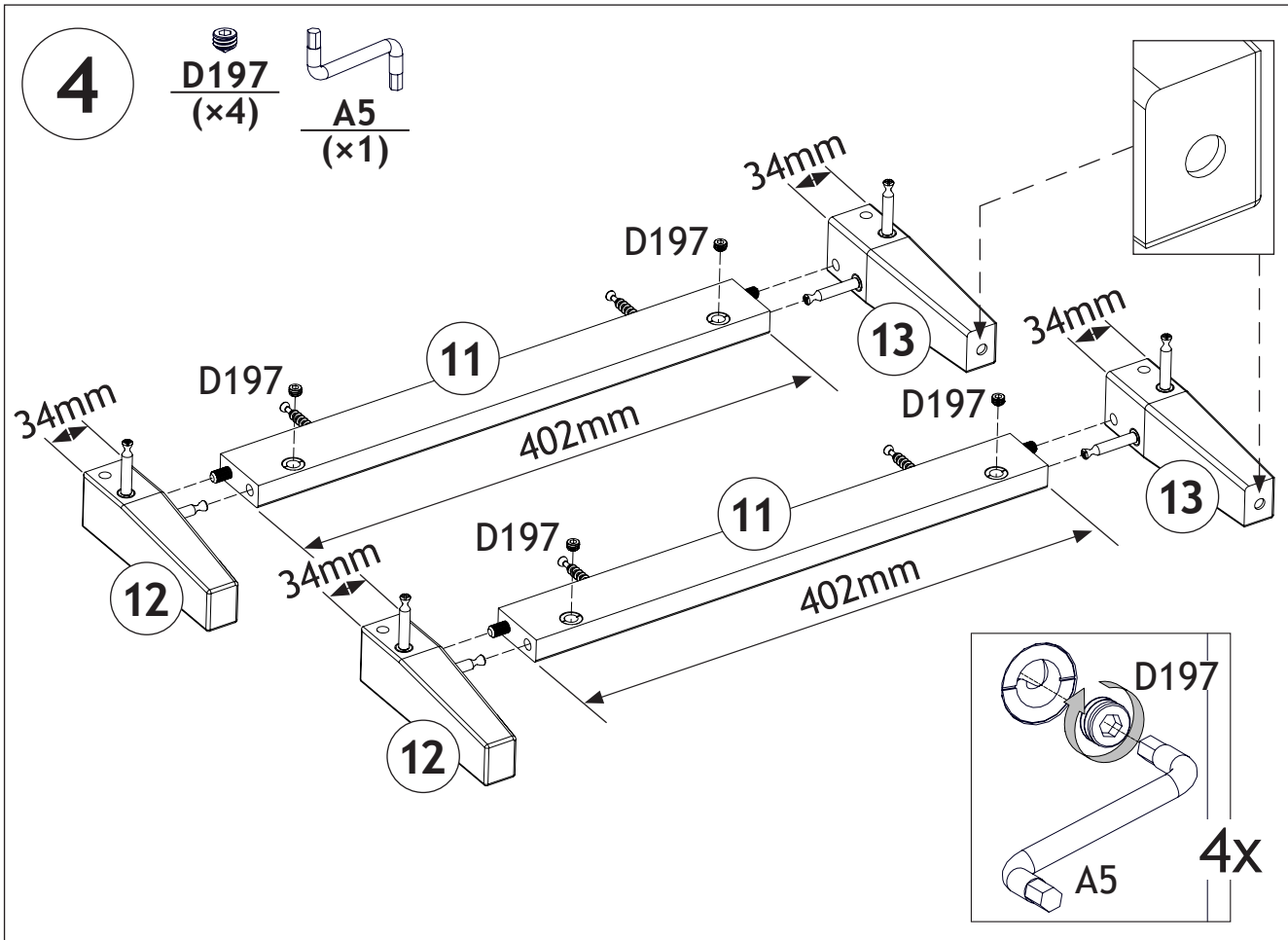

D2
(x4)


H1
(x8)


D19
(x4)


D196
(x8)



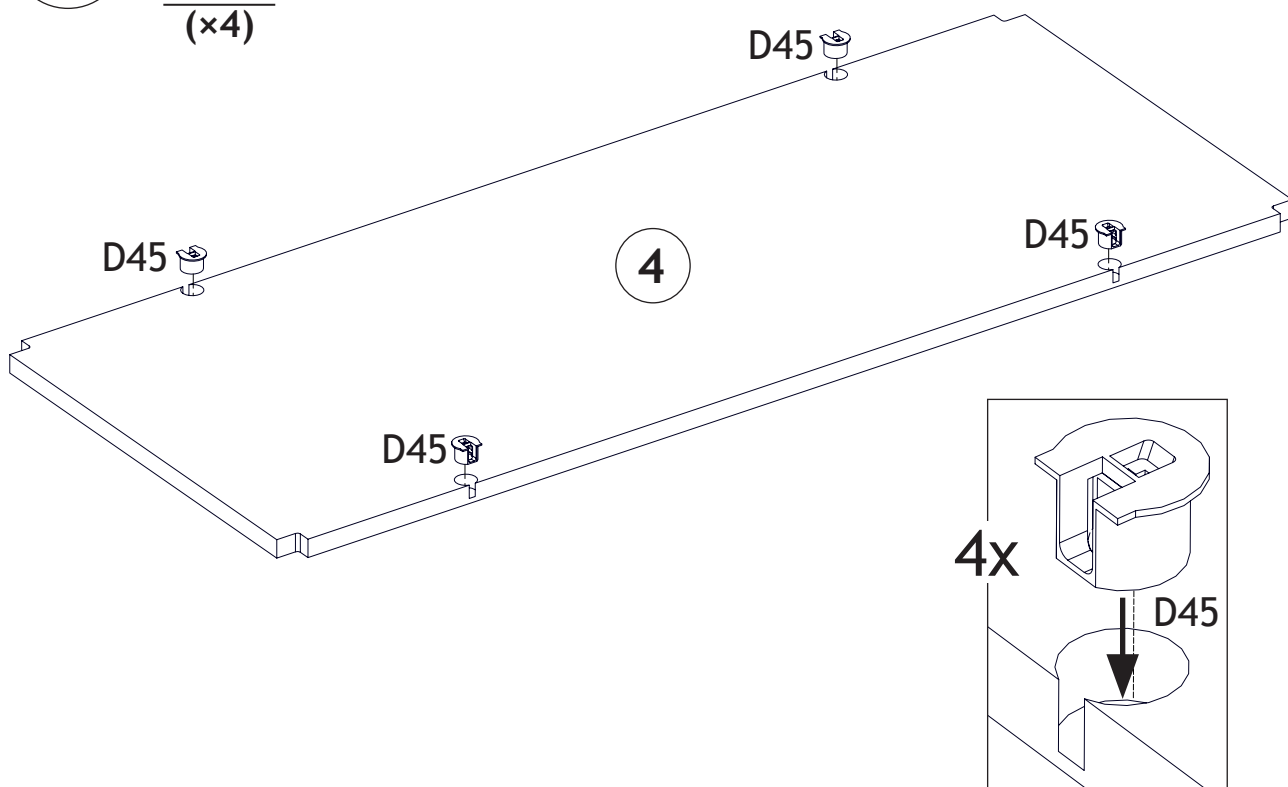


67519/1

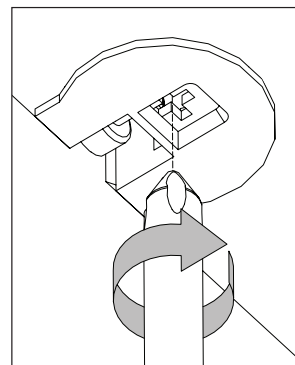
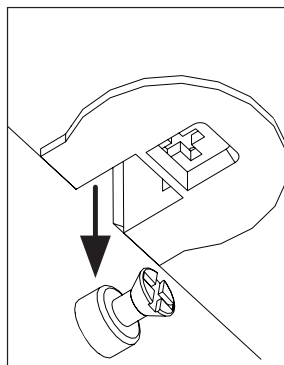
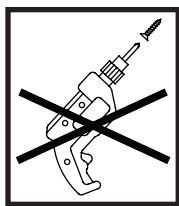
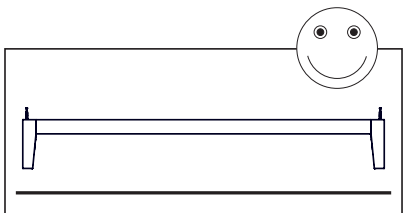
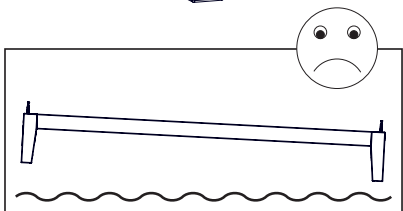
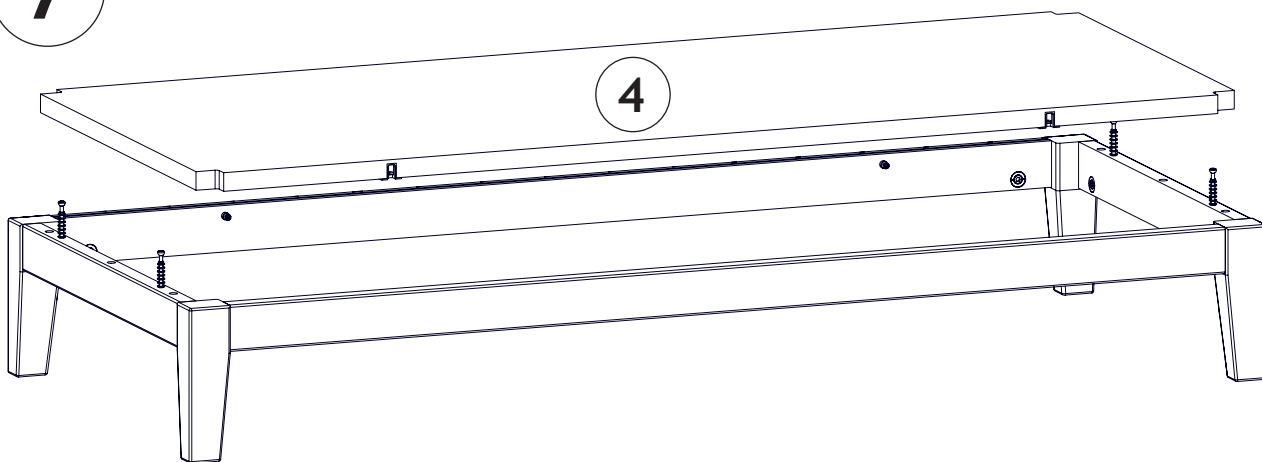
6



D45
(x4)

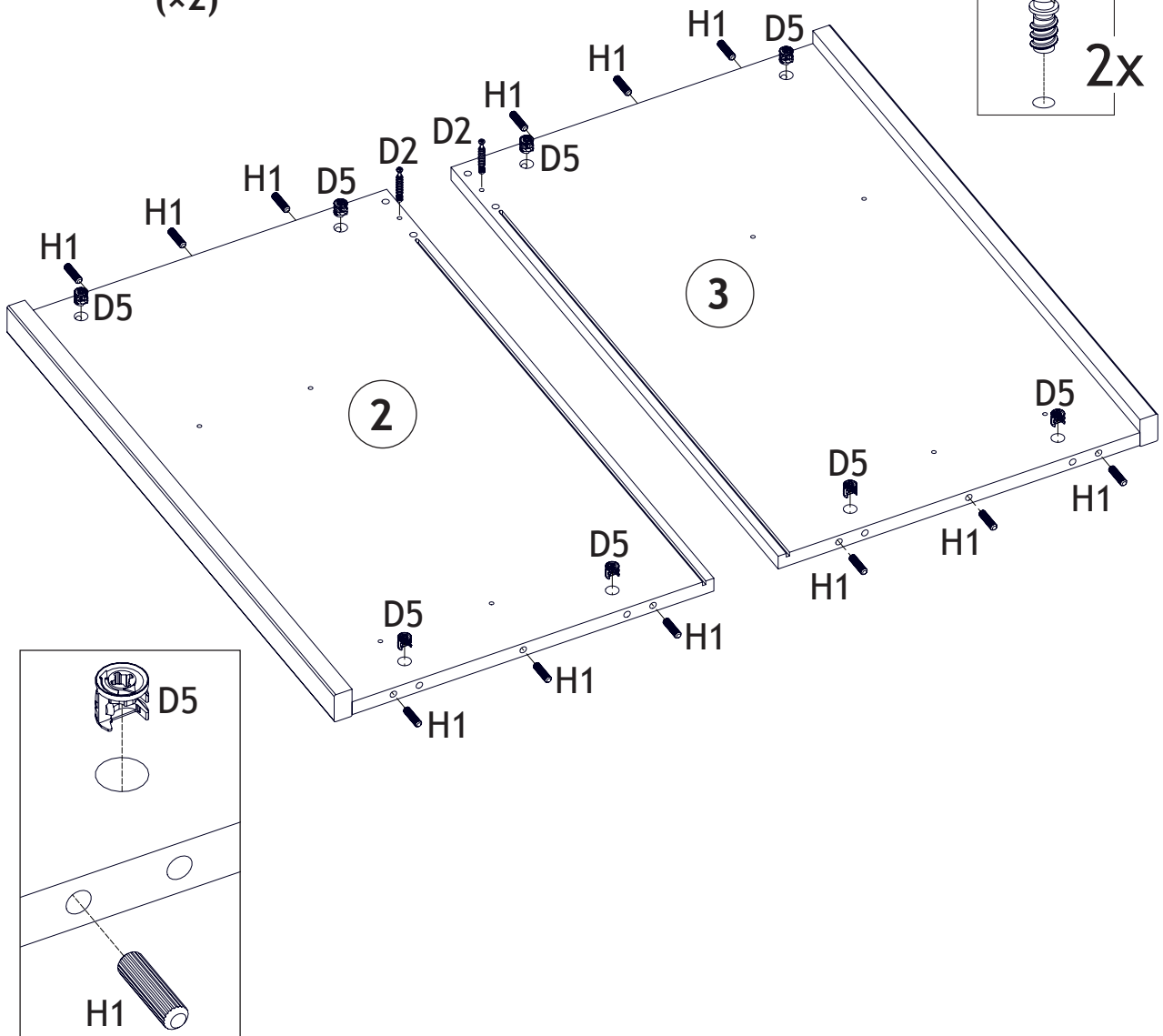
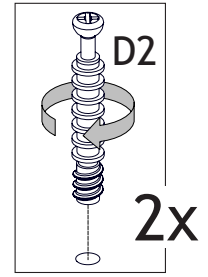
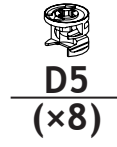
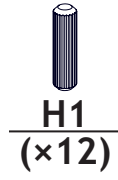


7



67519/1

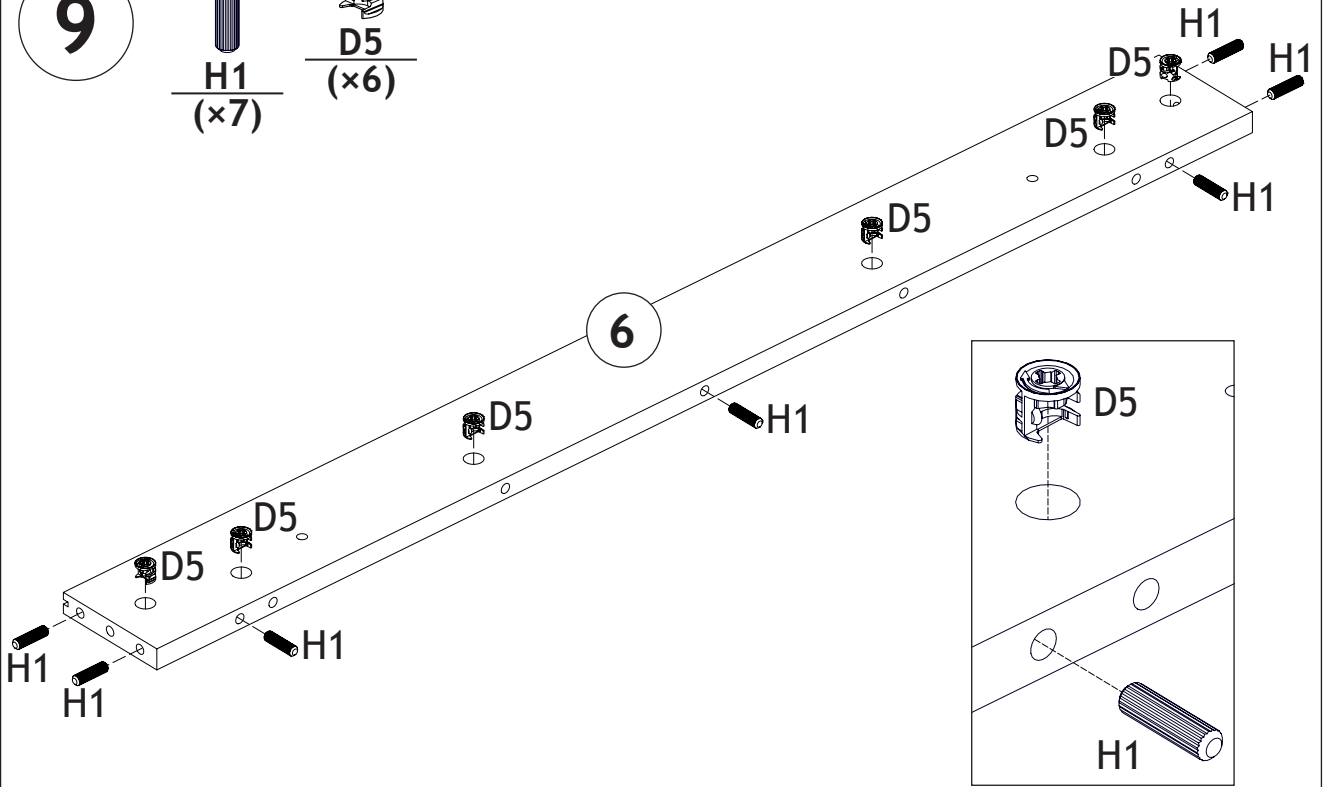
8



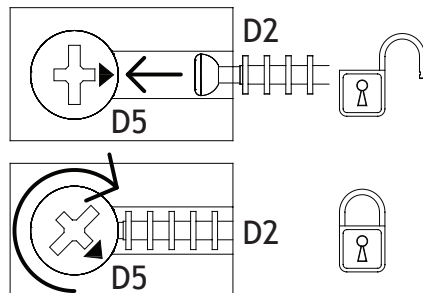
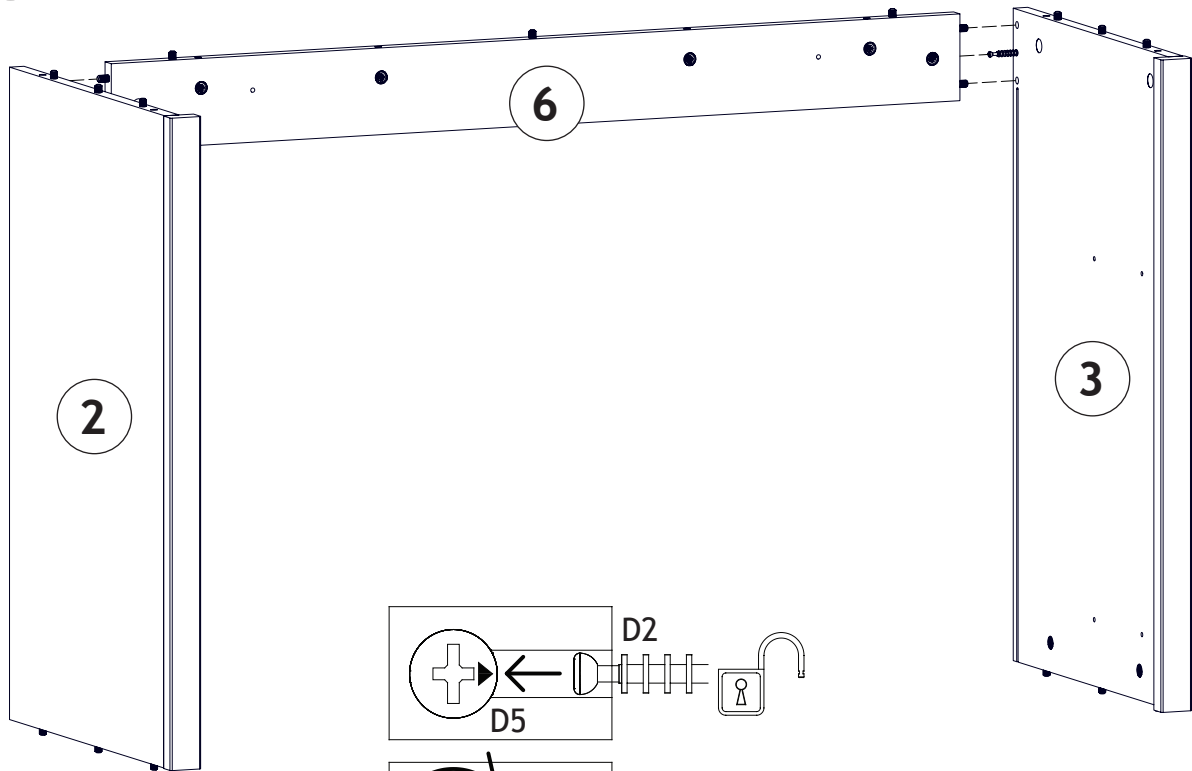
9

H1
(x7)

D5
(x6)

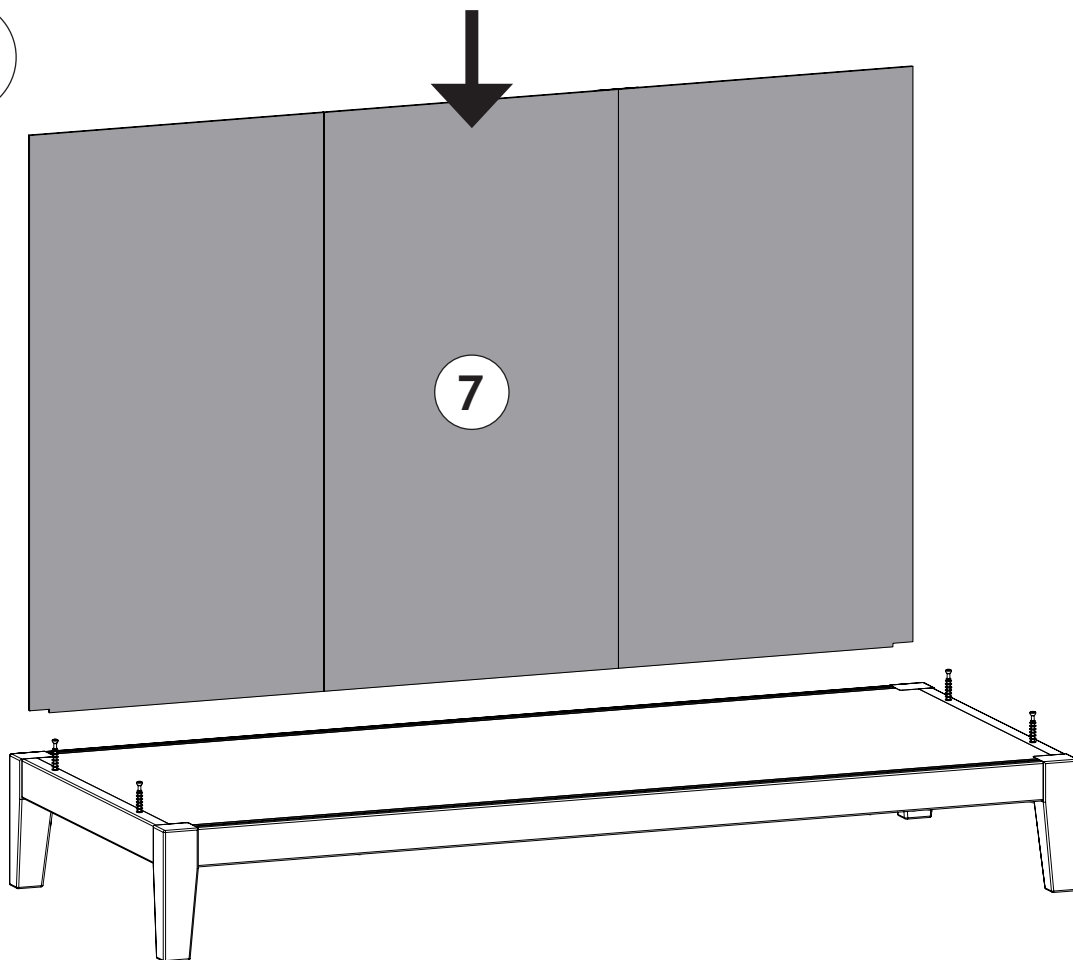


10

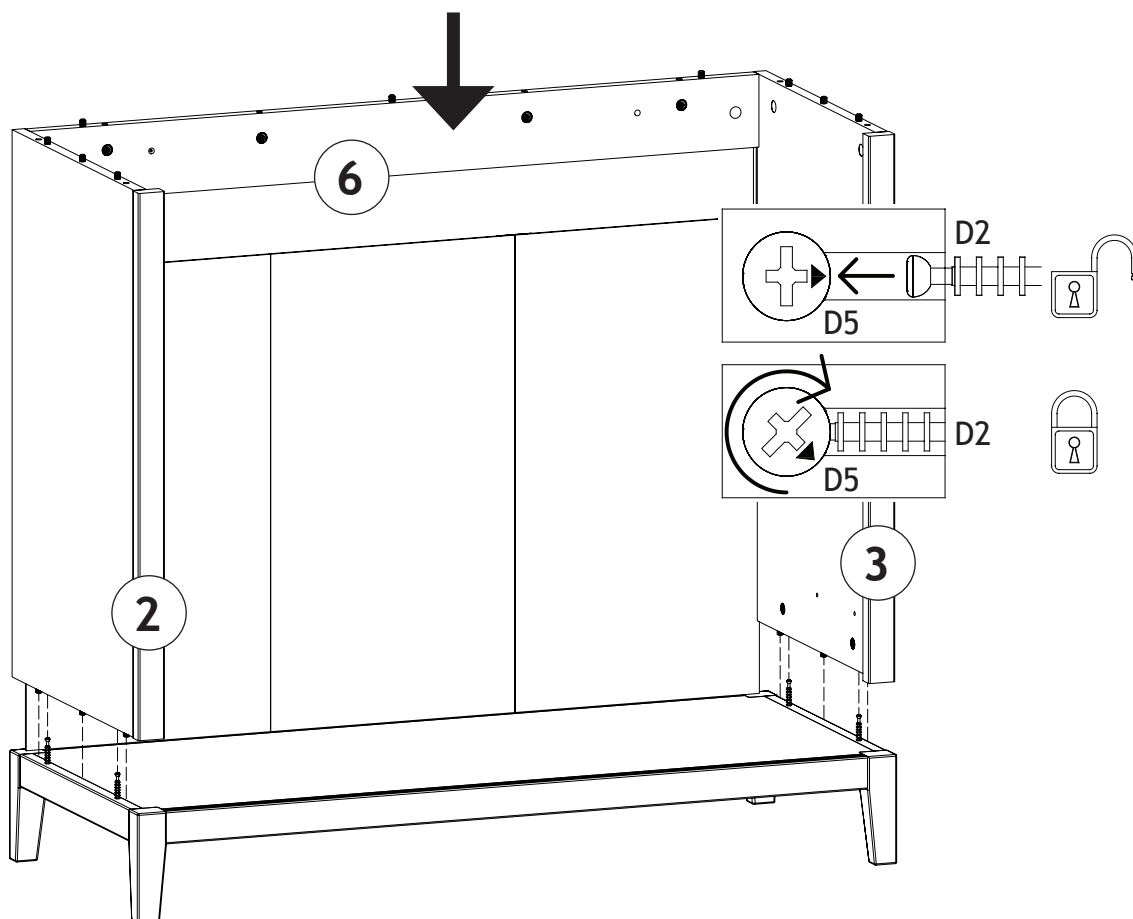


67519/1

11



12

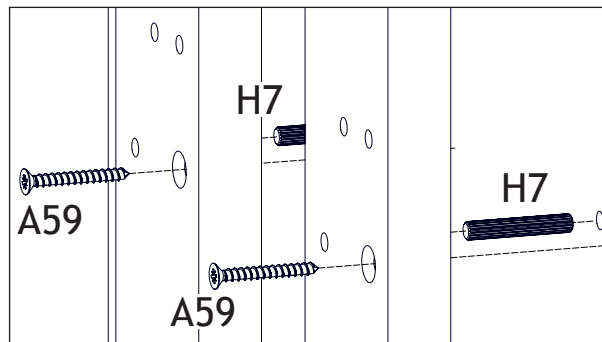
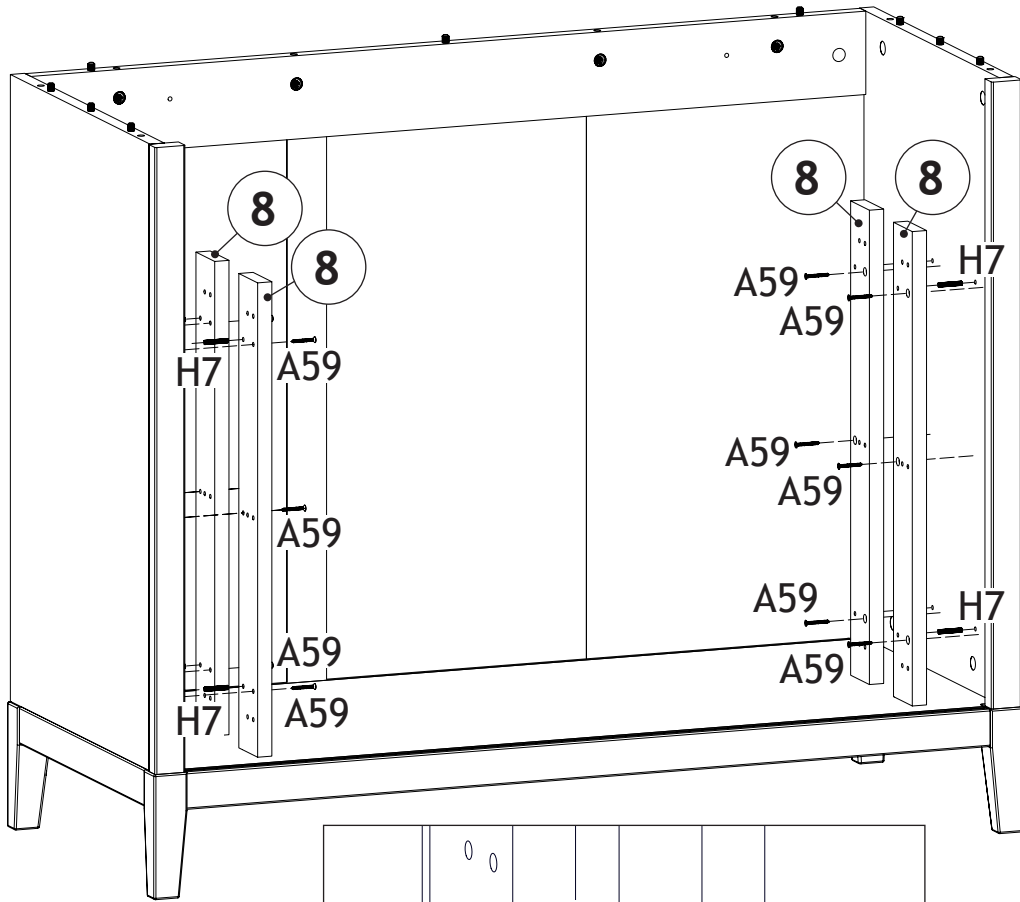


67519/1

13

A59
(x12)

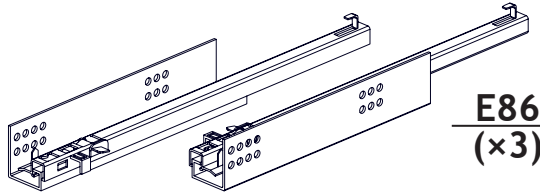
H7
(x8)



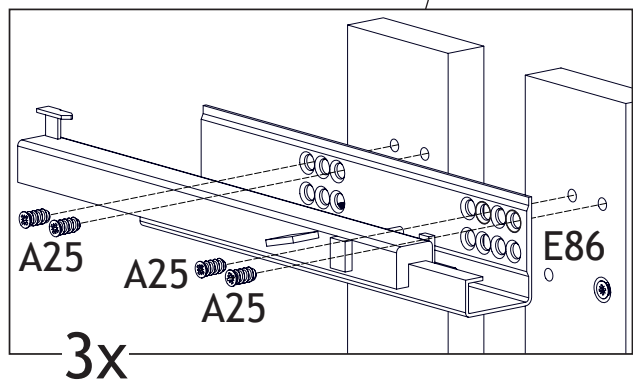
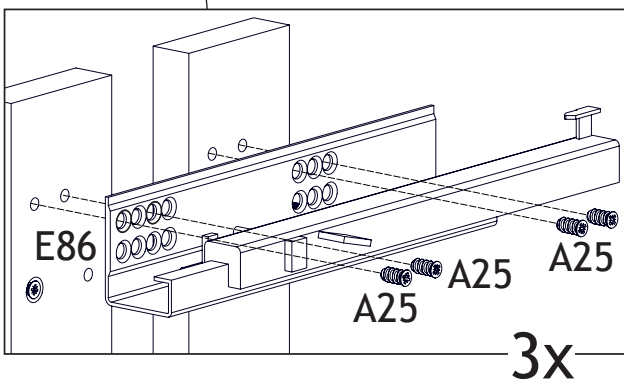
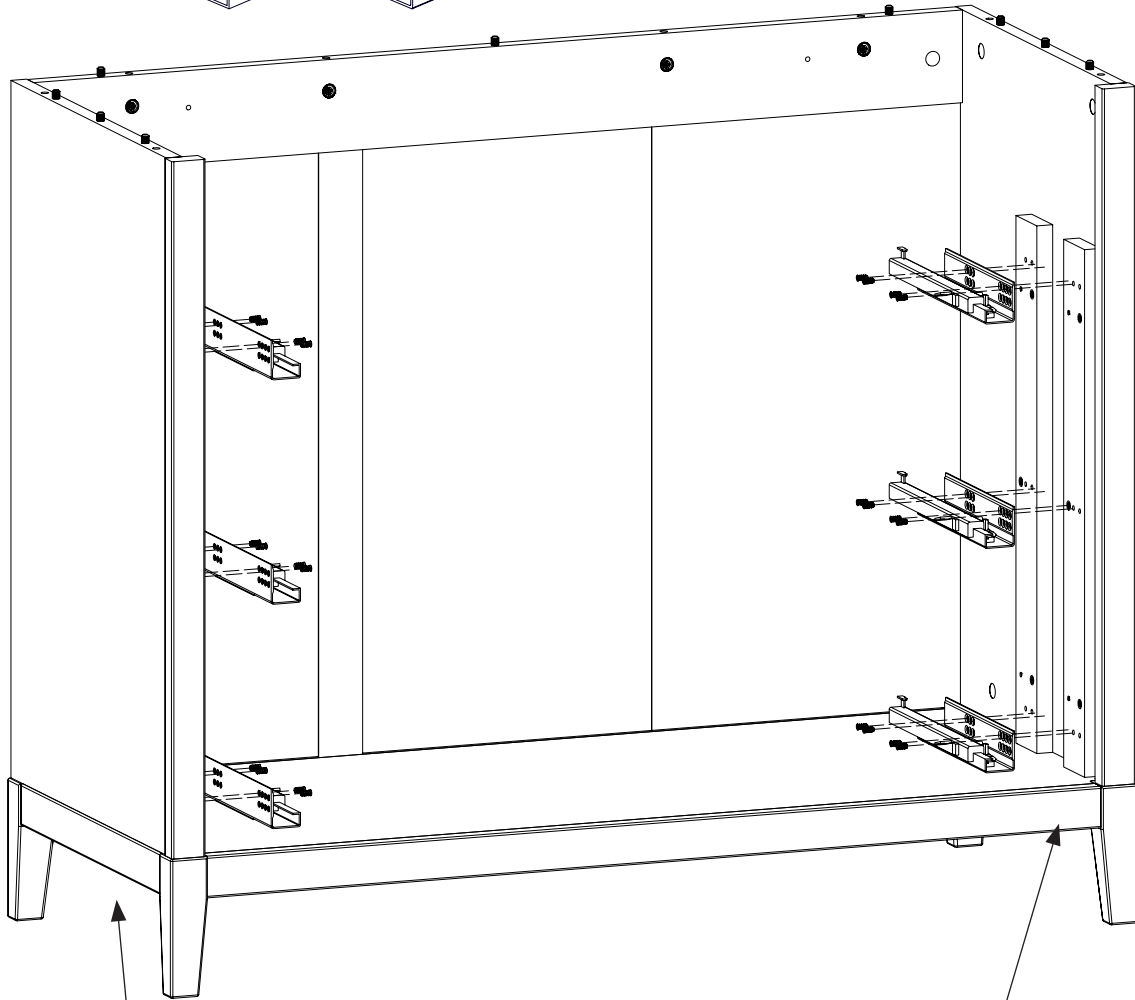
67519/1

14

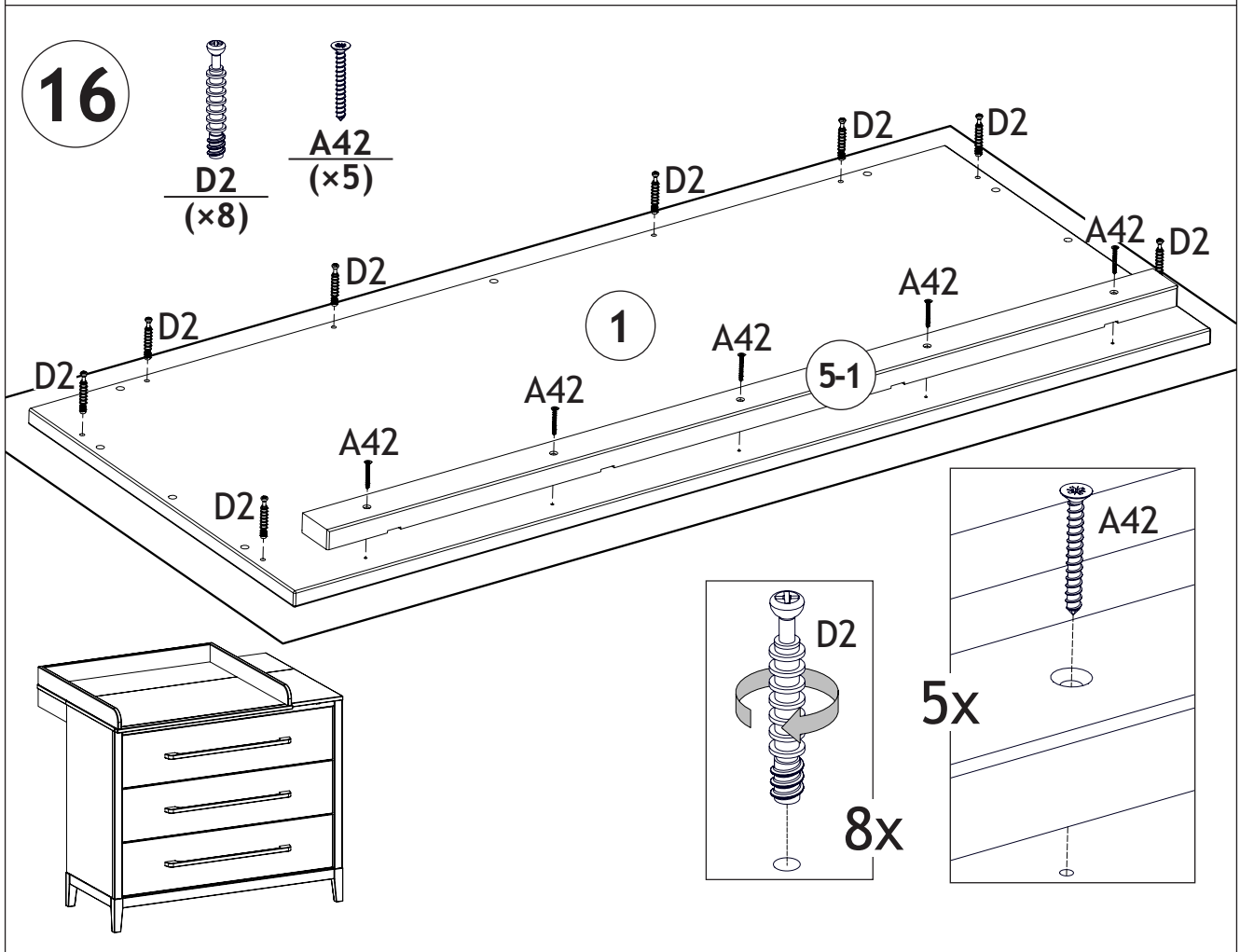
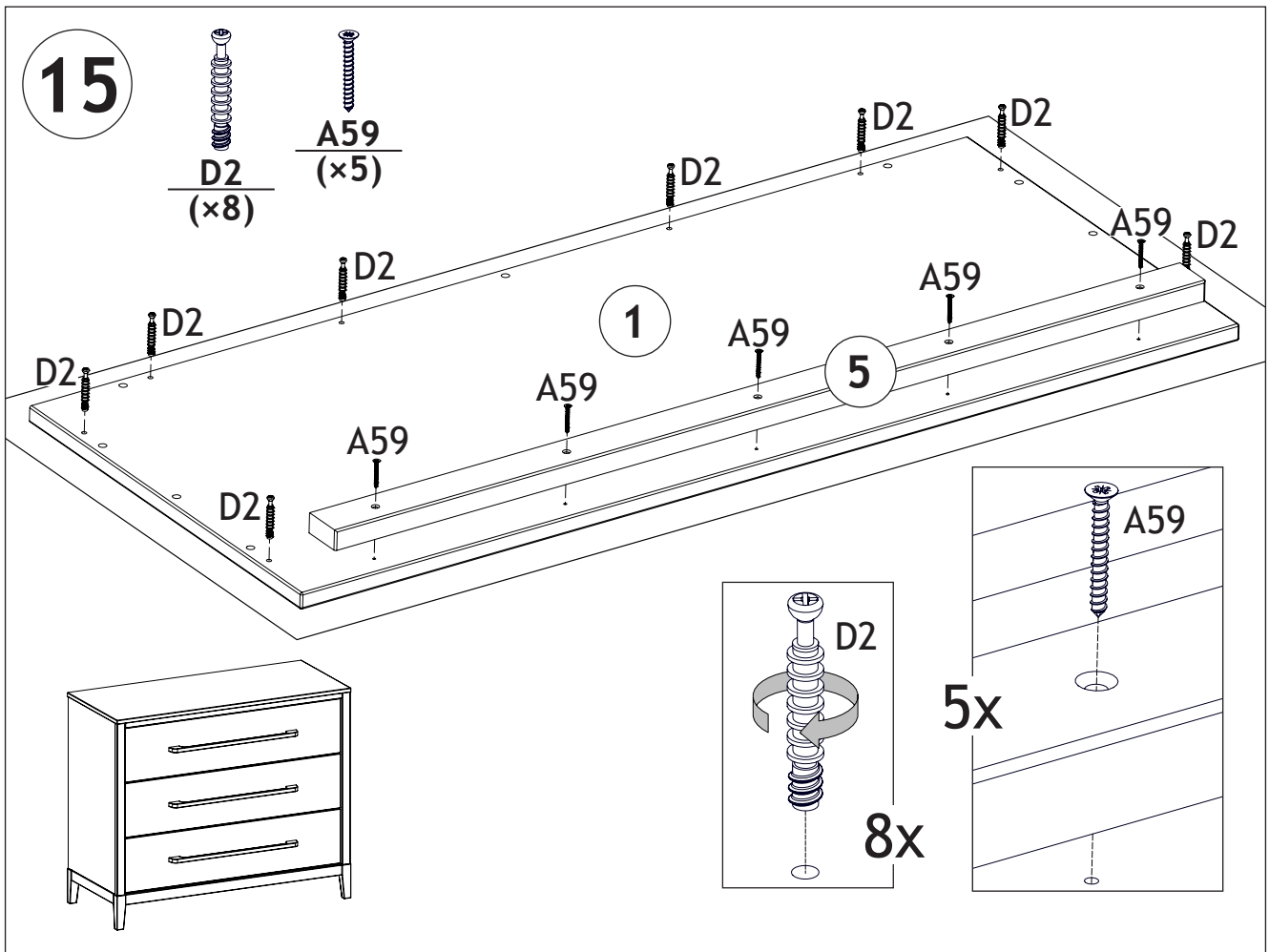
A25
(x24)



E86
(x3)

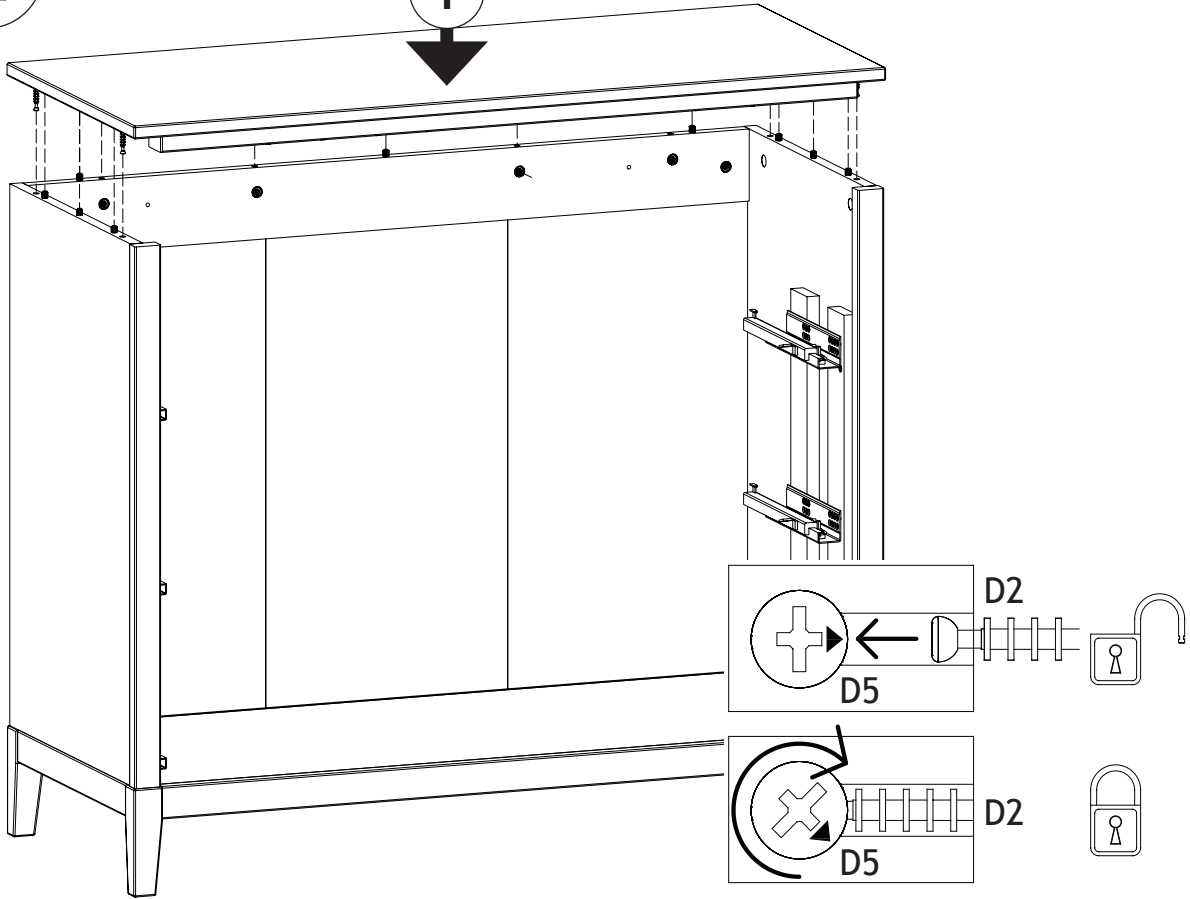


67519/1



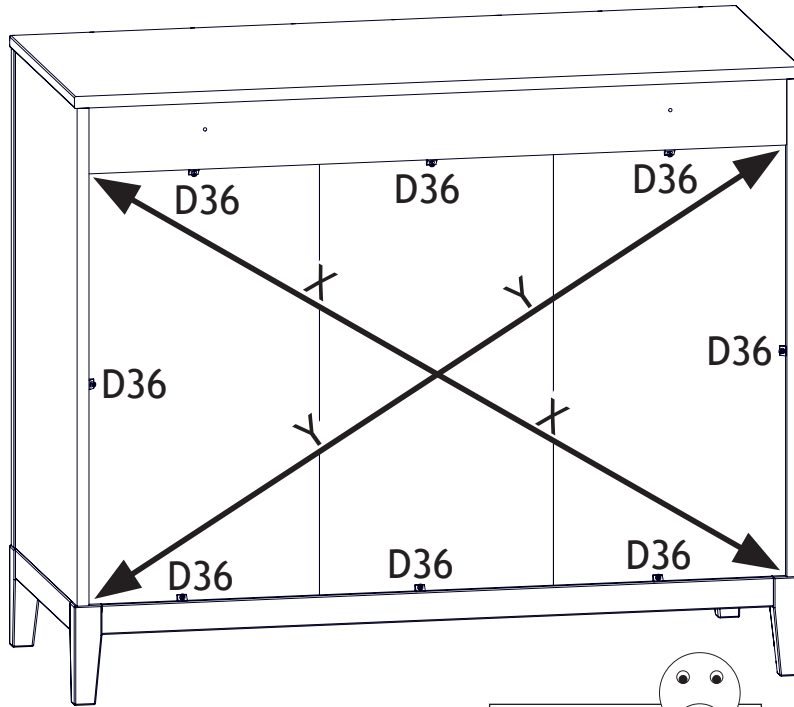
17

1

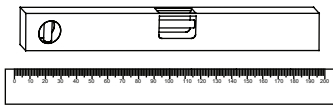
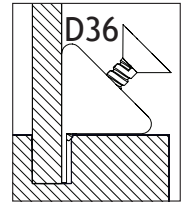
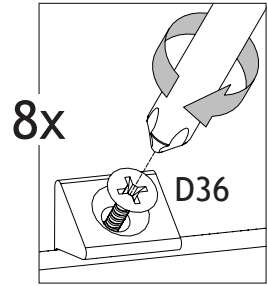


67519/1

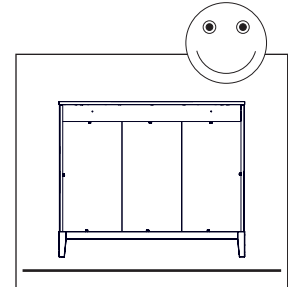
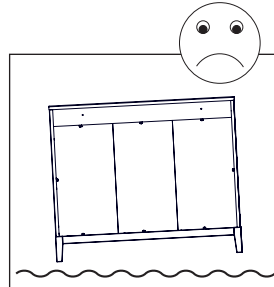
18



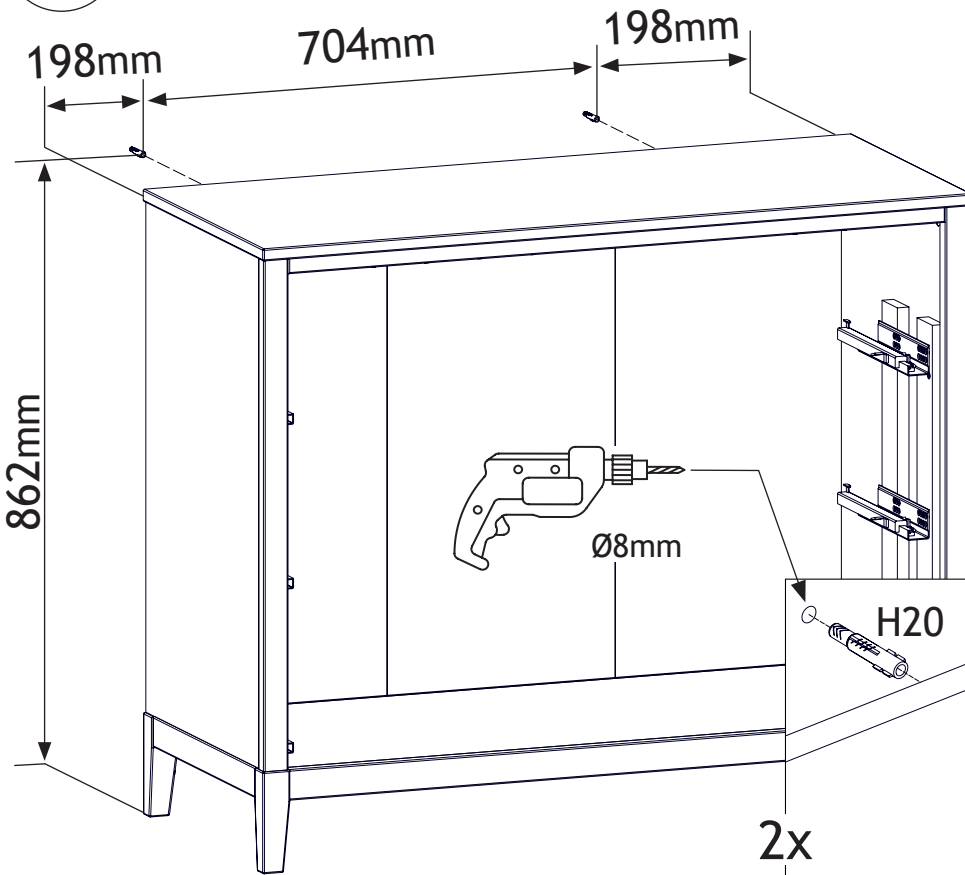
D36
(x8)



X=Y



19



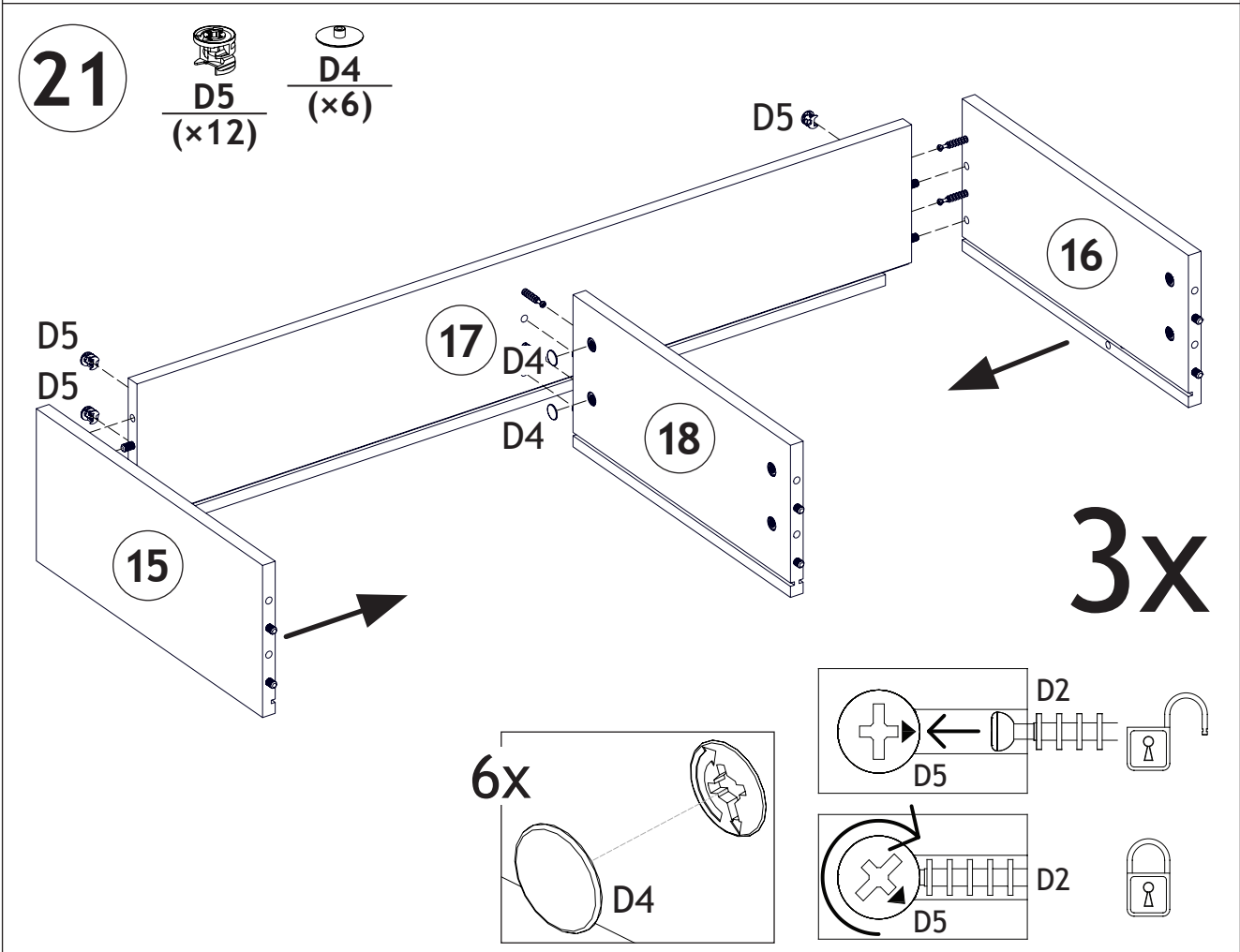
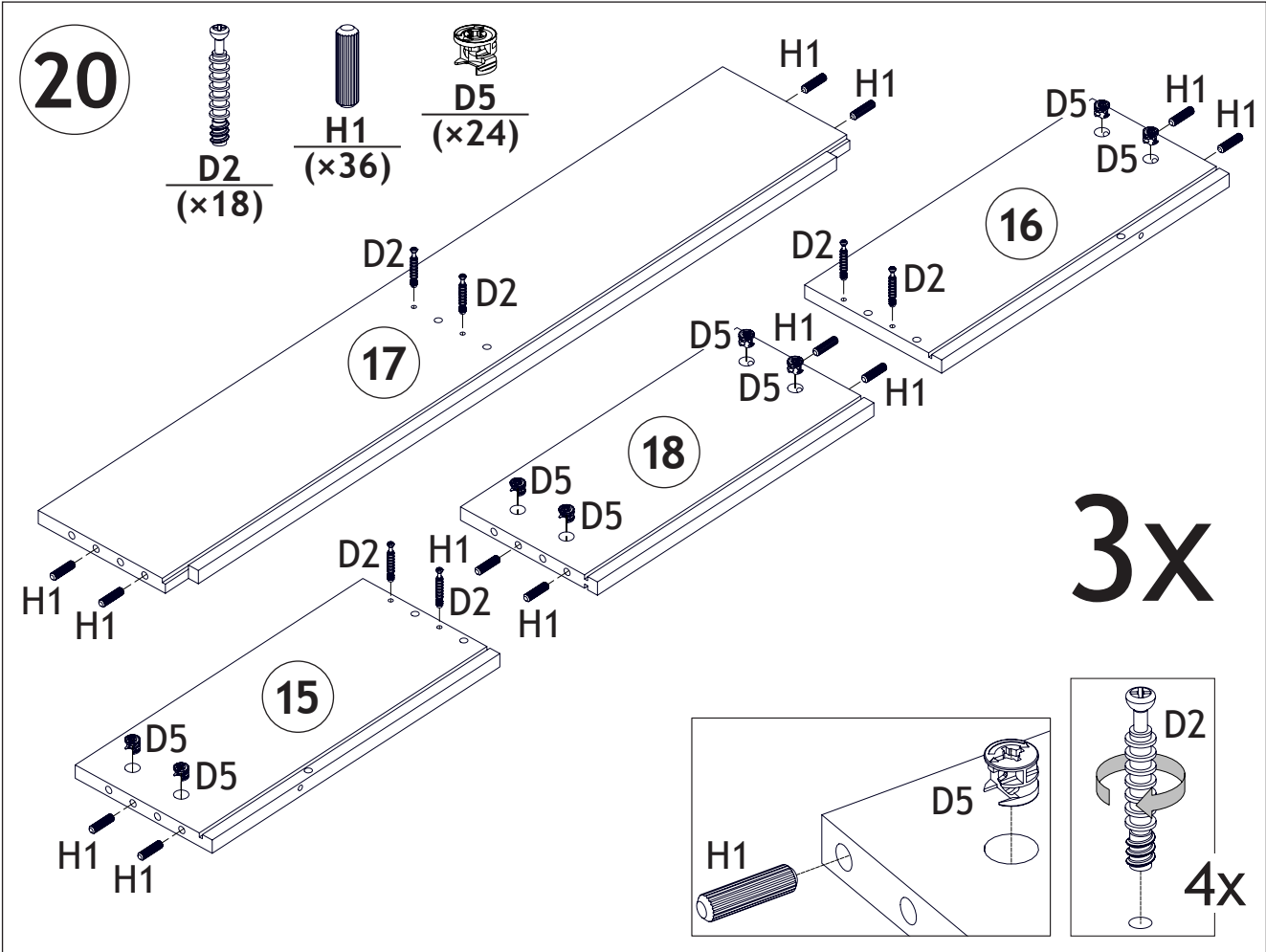
A94
(x2)

H20
(x2)

A104
(x2)

2x

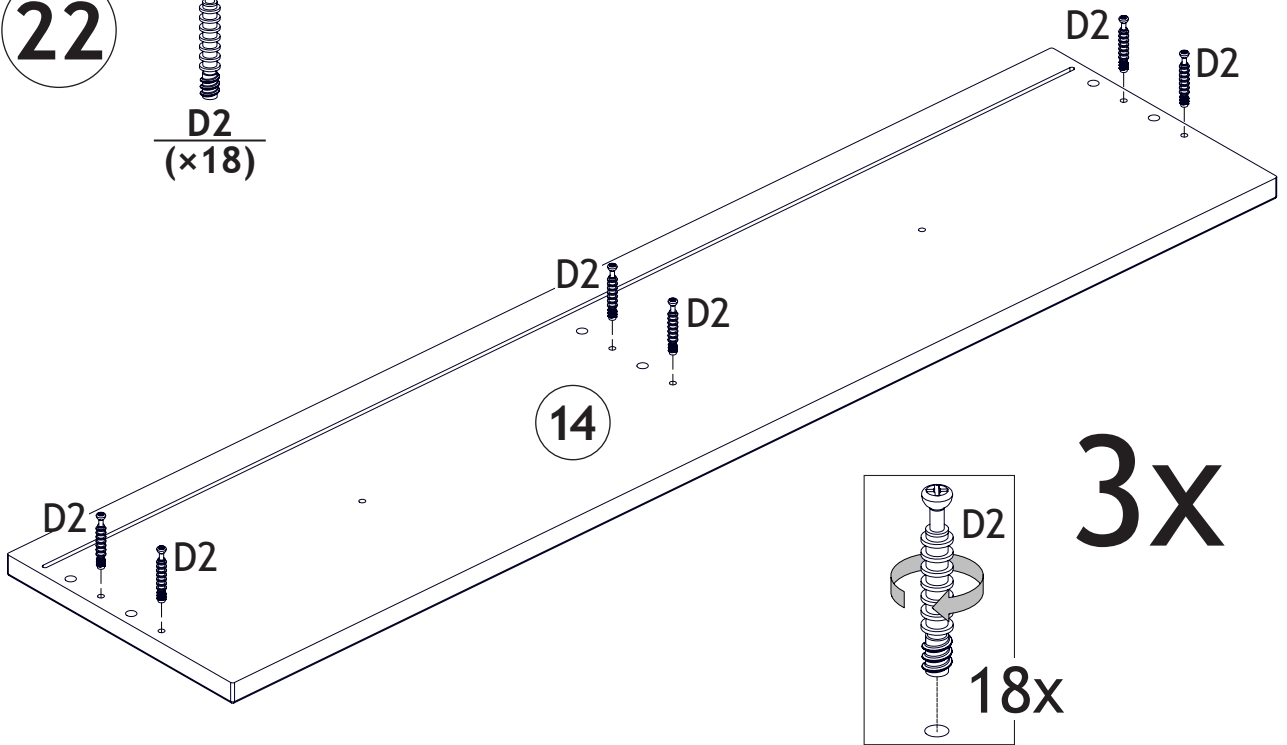
67519/1



67519/1

22

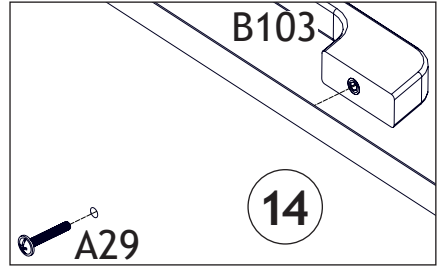
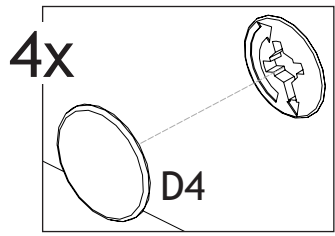
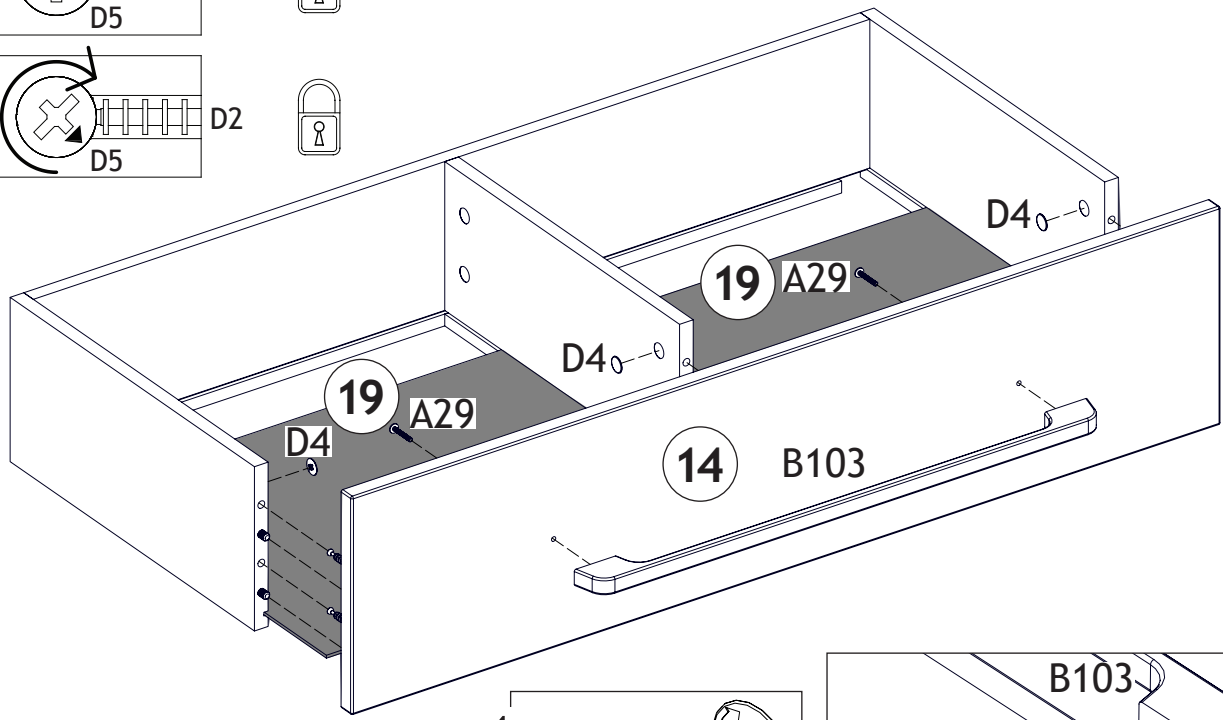
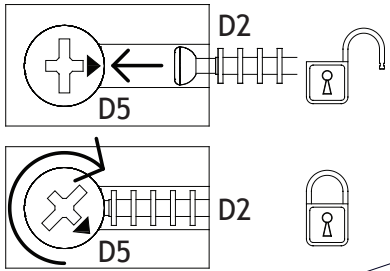
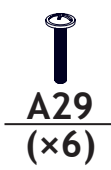
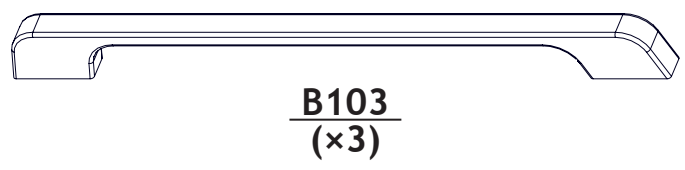
D2
(x18)



3x

18x

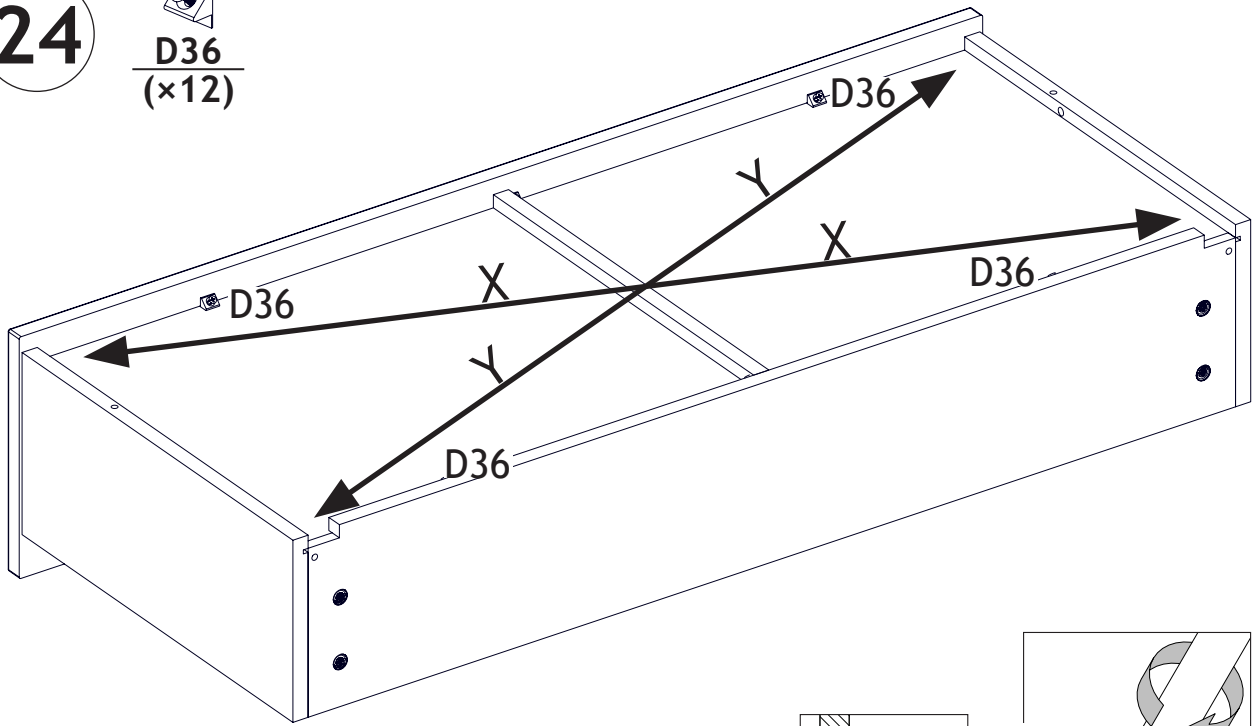
23



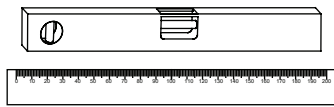
67519/1

24

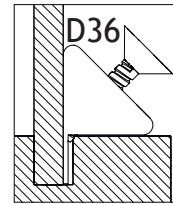
D36
(x12)



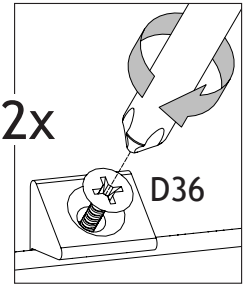
3x



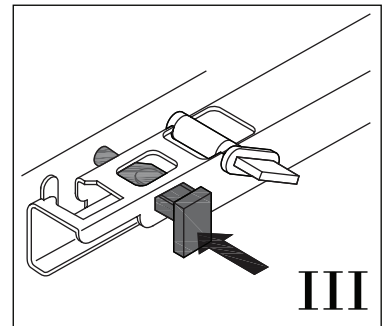
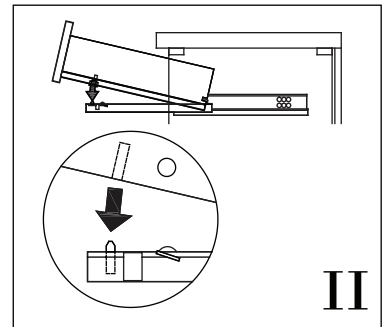
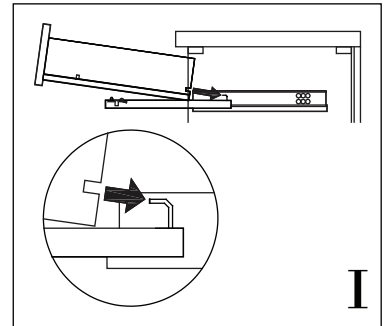
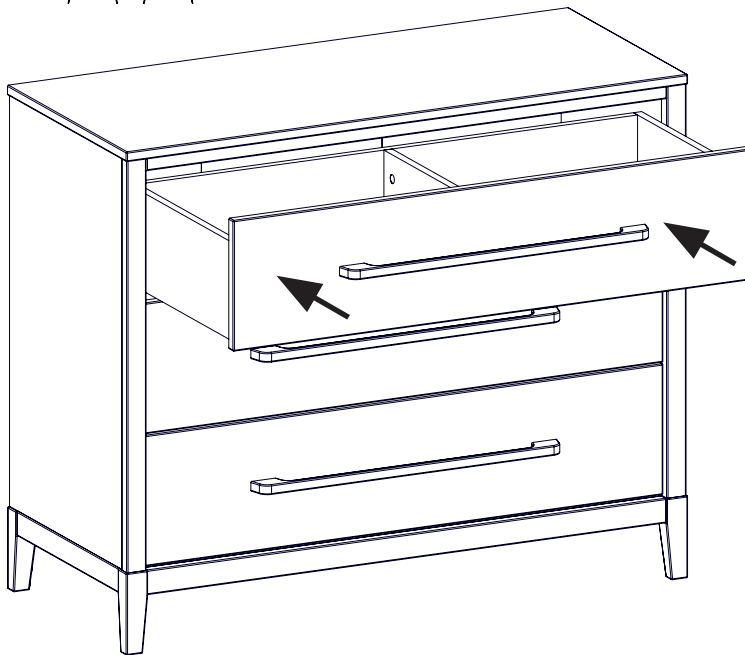
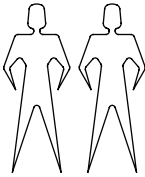
X=Y



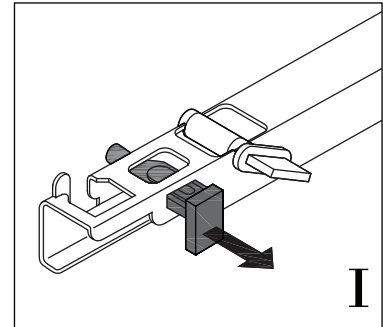
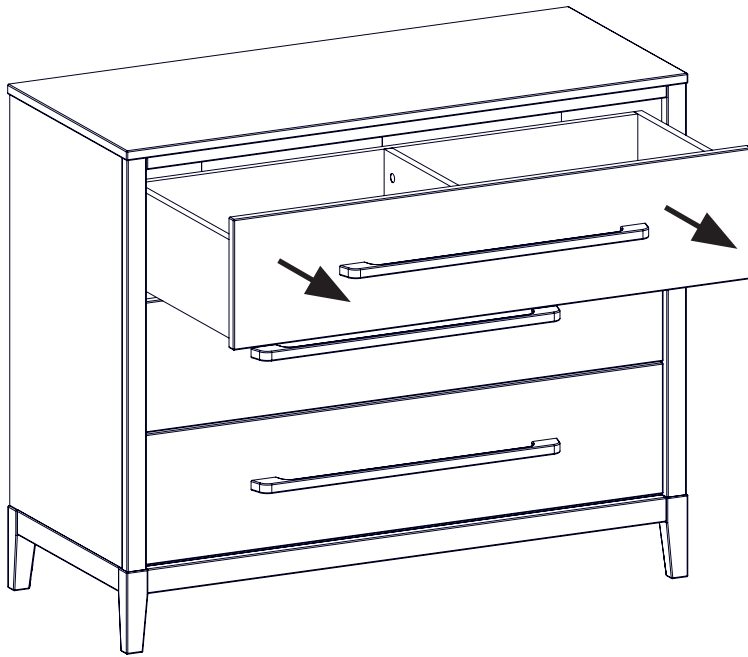
12x



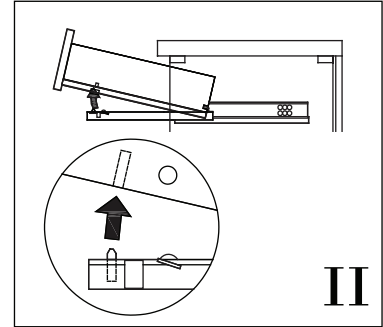
25



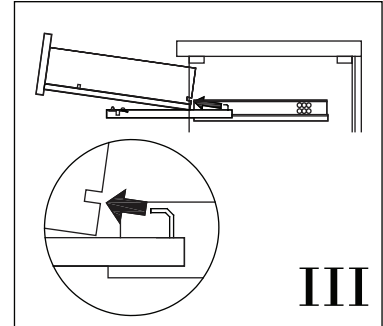
67519/1



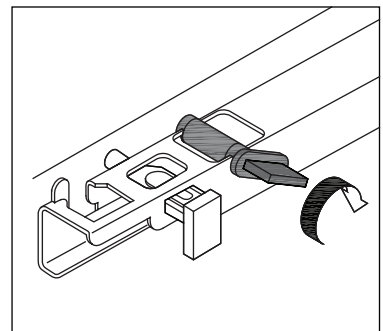
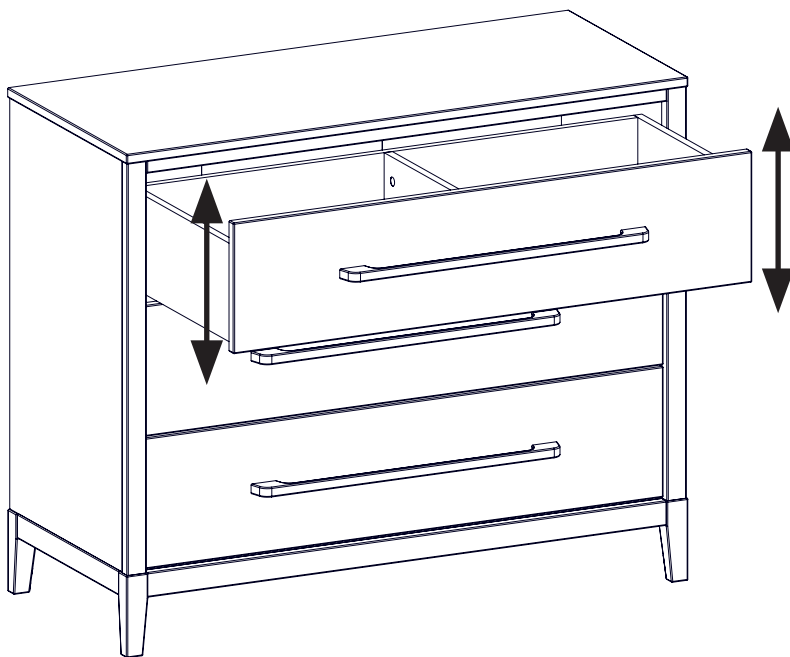
I



II



III



67519/1